



**⚠ READ THIS MANUAL CAREFULLY!**  
It contains important safety information.

**⚠ LIRE ATTENTIVEMENT CE MANUEL!**  
Il comprend d'importantes informations de sécurité.

**⚠ ¡LEA ESTE MANUAL ATENTAMENTE!**  
Contiene indicaciones importantes acerca de la seguridad.

**OWNER'S MANUAL  
MANUEL DU PROPRIÉTAIRE  
MANUAL DEL PROPIETARIO**

**BIG BEAR**

**250**

**YFM25BA  
YFM250A**

**1P0-F8199-66**



PRINTED IN USA  
2010.08-0.3×1 CR  
(E,F,S)



**⚠ READ THIS MANUAL CAREFULLY!**  
It contains important safety information.

**OWNER'S MANUAL**

***BIG BEAR***

***250***

**YFM25BA**

**YFM250A**

**1P0-F8199-66-E0**



**Read this manual carefully before operating this vehicle. This manual should stay with this vehicle if it is sold.**

## EC Declaration of Conformity

conforming to Directive 2006/42/EC

**We, YAMAHA MOTOR CO., LTD. 2500 Shingai, Iwata, Japan,  
declare in sole responsibility, that the product**

**YFM250 (YFM25B) (5Y4AG01W0A0518901-)**

(Make, model)

**to which this declaration applies, conforms to the essential health  
and safety requirements of Directive 2006/42/EC**

(If applicable)

**and to the other relevant Directives of EEC**

**2004/108/EC**

(Title and/or number and date of issue of the other Directives of EEC)

(If applicable)

**To effect correct application of the essential health and safety requirements  
stated in the Directives of EEC, the following-standards and/or technical  
specifications were consulted:**

**ANSI/SVIA 1-2007**

(Title and/or number and date of issue of standards and/or specifications)

### Manufacturer

YAMAHA MOTOR MANUFACTURING CORPORATION OF AMERICA  
1000 GA Highway 34 East, Newnan, Georgia 30265-1320, U.S.A.

### Authorized Representative

YAMAHA MOTOR EUROPE N.V.  
Koolhovenlaan 101, 1119 NC Schiphol-Rijk, The Netherlands

Signature

*S. Shimada*

Shinya Shimada

General Manager

RV Engineering Division

MC Operations

YAMAHA MOTOR CO., LTD.

Date of Issue

*9 March, 2010*

# INTRODUCTION

Congratulations on your purchase of the Yamaha YFM25BA/YFM250A. This ATV represents the result of many years of Yamaha experience in the production of fine sporting, touring, and pacesetting racing machines. With the purchase of this Yamaha, you can now appreciate the high degree of craftsmanship and reliability that have made Yamaha a leader in these fields.

This manual will provide you with a good basic understanding of the features and operation of this ATV. **This manual includes important safety information. It provides information about special techniques and skills necessary to ride the ATV.** It also includes basic maintenance and inspection procedures. If you have any questions regarding the operation or maintenance of your ATV, please consult a Yamaha dealer.




## **AN IMPORTANT SAFETY MESSAGE:**

- Read this manual completely before operating your ATV. Make sure you understand all instructions.
- Pay close attention to the warning and notice labels on the ATV.
- This ATV should not be ridden by anyone under 16 years of age.

## IMPORTANT MANUAL INFORMATION

FAILURE TO FOLLOW THE WARNINGS CONTAINED IN THIS MANUAL CAN RESULT IN SERIOUS INJURY OR DEATH.

Particularly important information is distinguished in this manual by the following notations:

	<b>This is the safety alert symbol. It is used to alert you to potential personal injury hazards. Obey all safety messages that follow this symbol to avoid possible injury or death.</b>
	<b>A WARNING indicates a hazardous situation which, if not avoided, could result in death or serious injury.</b>
	<b>A NOTICE indicates special precautions that must be taken to avoid damage to the vehicle or other property.</b>
<b>TIP</b>	A TIP provides key information to make procedures easier or clearer.

\* Product and specifications are subject to change without notice.

EBU17350

## IMPORTANT NOTICE

EBU17372

This ATV is designed and manufactured for use on unpaved surfaces only. It is unsafe to operate this ATV on any paved surface, paved street, paved road or motorway.

Please check your local riding laws and regulations before operating this ATV.

EBU17410

**YFM25BA/YFM250A  
OWNER'S MANUAL  
©2010 by Yamaha Motor Co., Ltd.  
1st edition, July 2010  
All rights reserved.  
Any reprinting or unauthorized use  
without the written permission of  
Yamaha Motor Co., Ltd.  
is expressly prohibited.  
Printed in U.S.A.**

# TABLE OF CONTENTS

LOCATION OF THE WARNING AND SPECIFICATION LABELS .....	1-1	Fuel .....	4-8
SAFETY INFORMATION .....	2-1	Fuel cock .....	4-9
DESCRIPTION .....	3-1	Starter (choke) .....	4-11
Left view .....	3-1	Seat .....	4-11
Right view .....	3-1	Storage compartment .....	4-12
Controls and instruments .....	3-2	Front carrier .....	4-13
INSTRUMENT AND CONTROL FUNCTIONS .....	4-1	Rear carrier .....	4-13
Main switch .....	4-1	Adjusting the rear shock absorber assembly .....	4-14
Indicator lights .....	4-2	PRE-OPERATION CHECKS .....	5-1
Handlebar switches .....	4-2	Fuel .....	5-3
Throttle lever .....	4-3	Engine oil .....	5-3
Speed limiter .....	4-4	Final gear oil .....	5-3
Front brake lever .....	4-4	Front and rear brakes .....	5-3
Brake pedal and rear brake lever .....	4-5	Throttle lever .....	5-4
Parking brake .....	4-6	Tires .....	5-4
Shift pedal .....	4-6	Chassis fasteners .....	5-6
Drive select lever .....	4-7	Instruments, lights and switches .....	5-6
Recoil starter .....	4-7	Battery .....	5-6
Fuel tank cap .....	4-7	OPERATION.....	6-1
		Starting a cold engine .....	6-1
		Starting a warm engine .....	6-3



Operating the drive select lever and driving in reverse .....	6-3	Periodic maintenance chart for the emission control system .....	8-3
Shifting .....	6-4	General maintenance and lubrication chart .....	8-5
Engine break-in .....	6-6	Checking the spark plug .....	8-9
Parking .....	6-7	Engine oil and oil filter element .....	8-11
Parking on a slope .....	6-7	Final gear oil .....	8-18
Accessories and loading .....	6-8	Cleaning the air filter element .....	8-20
RIDING YOUR ATV .....	7-1	Cleaning the spark arrester .....	8-24
GETTING TO KNOW YOUR ATV.....	7-2	Adjusting the carburetor .....	8-25
RIDE WITH CARE AND GOOD JUDGMENT .....	7-2	Adjusting the engine idling speed .....	8-26
BE CAREFUL WHERE YOU RIDE.....	7-9	Adjusting the throttle lever free play .....	8-27
TURNING YOUR ATV .....	7-12	Valve clearance .....	8-27
CLIMBING UPHILL .....	7-14	Adjusting the drive select lever safety system cable .....	8-28
RIDING DOWNHILL.....	7-16	Brakes .....	8-28
CROSSING A SLOPE.....	7-17	Checking the front brake pads and rear brake shoes .....	8-28
CROSSING THROUGH SHALLOW WATER .....	7-18	Checking the brake fluid level .....	8-29
RIDING OVER ROUGH TERRAIN .....	7-20	Changing the brake fluid .....	8-30
SLIDING AND SKIDDING.....	7-21	Checking the front brake lever free play ...	8-30
WHAT TO DO IF.....	7-22	Adjusting the brake pedal height and free play, and the rear brake lever free play .....	8-31
WHAT TO DO... .....	7-22	Brake light switches .....	8-34
PERIODIC MAINTENANCE AND ADJUSTMENT .....	8-1	Adjusting the clutch free play .....	8-35
Owner's manual and tool kit .....	8-2	Checking and lubricating the cables .....	8-35

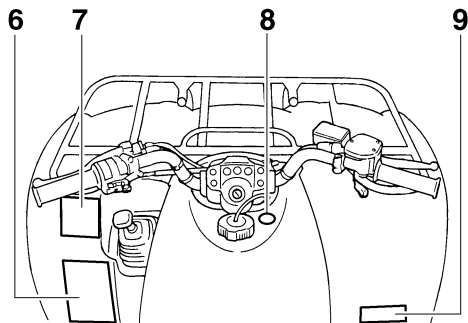
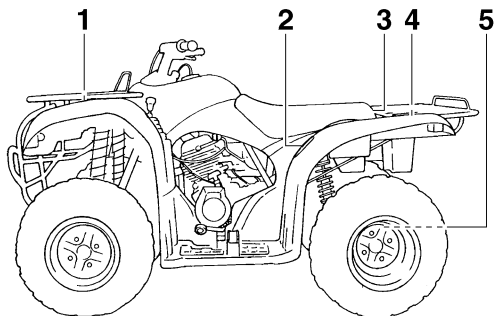
Checking and lubricating the front and rear brake levers .....	8-36
Checking the shift pedal .....	8-37
Checking and lubricating the brake pedal .....	8-37
Checking the wheel hub bearings .....	8-37
Lubricating the swingarm pivots .....	8-38
Lubricating the steering shaft .....	8-38
Battery .....	8-39
Replacing the fuse .....	8-42
Replacing a headlight bulb .....	8-43
Adjusting a headlight beam .....	8-45
Replacing the tail/brake light bulb .....	8-45
Removing a wheel .....	8-46
Installing a wheel .....	8-46
Troubleshooting .....	8-48
Troubleshooting chart .....	8-49
CLEANING AND STORAGE .....	9-1
Cleaning .....	9-1
Storage .....	9-2
SPECIFICATIONS .....	10-1
CONSUMER INFORMATION .....	11-1
Identification numbers .....	11-1

# LOCATION OF THE WARNING AND SPECIFICATION LABELS

Read and understand all of the labels on your ATV. These labels contain important information for safe and proper operation.

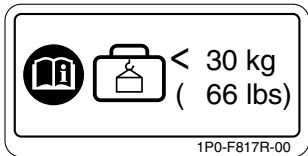
Never remove any labels from your ATV. If a label becomes difficult to read or comes off, request a replacement label from your Yamaha dealer.

## For Europe

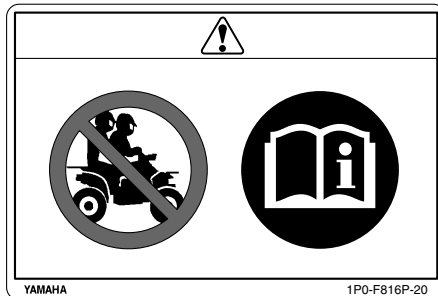


1

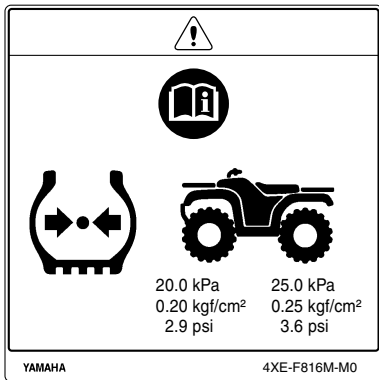
1



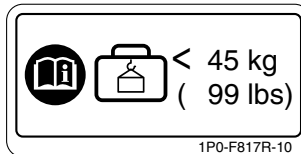
3



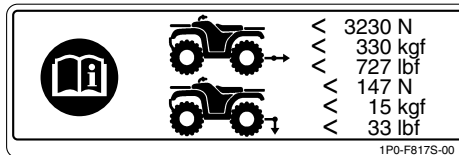
2



4



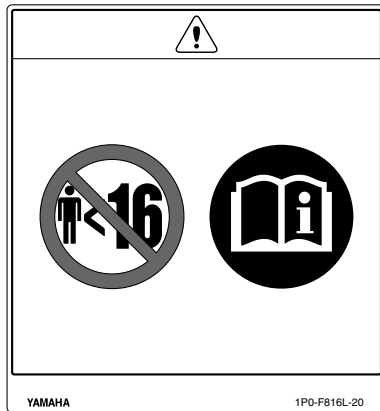
5



6



7



8











9





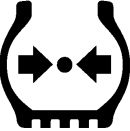





1

Familiarize yourself with the following pictograms and read the explanatory text, then make sure to check the pictograms that apply to your model.

1

	Read the Owner's manual.		NEVER permit children under age 12 to operate this ATV. Operation of this ATV by children under the age of 12 increases the risk of severe injury or death. Adult supervision required for children under age 16.
	ALWAYS use an approved helmet and protective gear.		NEVER operate this ATV if you are under age 16. Operating this ATV if you are under the age of 16 increases your chance of severe injury or death.
	NEVER permit children under age 6 to operate this ATV. Operation of this ATV by children under the age of 6 increases the risk of severe injury or death. Adult supervision required for children under age 16.		NEVER use on paved roads.
	NEVER permit children under age 10 to operate this ATV. Operation of this ATV by children under the age of 10 increases the risk of severe injury or death. Adult supervision required for children under age 16.		NEVER carry passengers.

	NEVER use with drugs or alcohol.
	NEVER store fuel or flammable liquids.
	This unit contains high-pressure nitrogen gas. Mishandling can cause an explosion. Do not incinerate, puncture or open.
	Use unleaded gasoline only.
	Measure the tire pressure when the tires are cold.

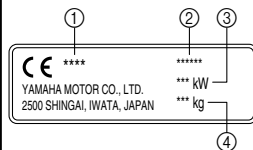
 <p>       ** kPa      ** kPa        ** kg/cm<sup>2</sup>    ** kg/cm<sup>2</sup>        * psi        * psi     </p>	<p>Adjust the tire pressure. Improper tire pressure can cause loss of control. Loss of control can result in severe injury or death.</p>
	<p>Turning the ATV in 4WD-LOCK (“DIFF.LOCK”) takes more effort. Operate at a slow speed and allow extra time and distance for maneuvers to avoid loss of control.</p>
	<p>This pictogram shows the loading limits and/or maximum load capacity for this ATV. Follow all load limits and other loading guidelines in this manual. Load may include the driver, passenger, human protective gear, accessories, goods, luggage, and all other load related items. Make sure you do not exceed the load limits. Overloading can cause loss of control. Loss of control can result in severe injury or death.</p>



This pictogram shows trailer Hitch Tow weight limit. (Combined weight of the trailer and all cargo in the trailer.)  
Overloading can cause loss of control.  
Loss of control can result in severe injury or death.

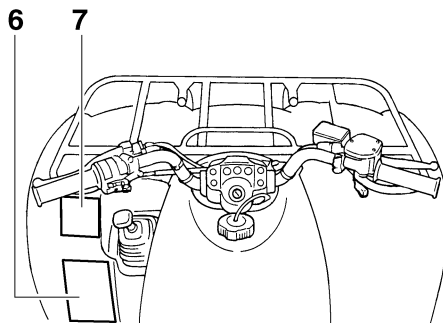
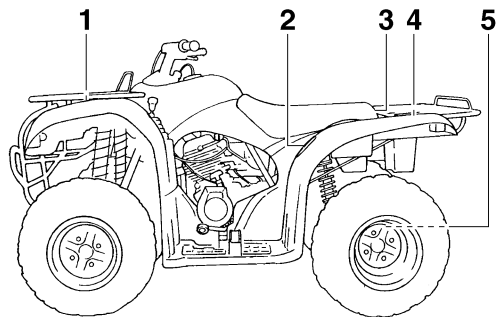


This pictogram shows trailer Hitch Tongue weight limit. (Weight on the trailer tongue.)  
Overloading can cause loss of control.  
Loss of control can result in severe injury or death.

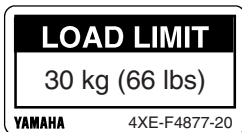


- ① Year of construction
- ② Model Name
- ③ Max. Power
- ④ Mass In Running Order





1



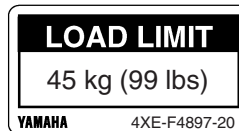
2



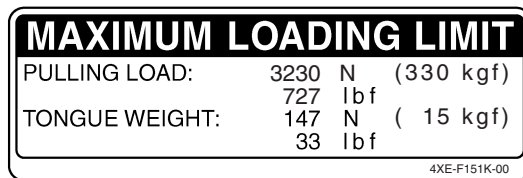
3



4



5



6

**⚠ WARNING**

Improper ATV use can result in **SEVERE INJURY** or **DEATH**.



**ALWAYS USE AN APPROVED HELMET AND PROTECTIVE GEAR**



**NEVER USE ON PUBLIC ROADS**



**NEVER CARRY PASSENGERS**



**NEVER USE WITH DRUGS OR ALCOHOL**

**NEVER** operate :

- without proper training or instruction.
- at speeds too fast for your skills or the conditions.
- on public roads—a collision can occur with another vehicle.
- with a passenger—passengers affect balance and steering and increase risk of losing control.

**ALWAYS :**


- use proper riding techniques to avoid vehicle overturns on hills and rough terrain and in turns.
- avoid paved surfaces—pavement may seriously affect handling and control.

**LOCATE AND READ OWNER'S MANUAL. FOLLOW ALL INSTRUCTIONS AND WARNINGS.**

YAMAHA 4XE-F1568-10

7

**⚠ WARNING**



Operating this ATV if you are under the age of 16 increases your chance of severe injury or death.

**NEVER** operate this ATV if you are under age 16.

**YAMAHA** 1P0-F816L-00

1



## SAFETY INFORMATION

### **AN ATV IS NOT A TOY AND CAN BE HAZARDOUS TO OPERATE.**

An ATV handles differently from other vehicles, including motorcycles and cars. A collision or roll-over can occur quickly, even during routine maneuvers such as turning and riding on hills or over obstacles, if you fail to take proper precautions.

SEVERE INJURY OR DEATH can result if you do not follow these instructions:

- Read this manual and all labels carefully and follow the operating procedures described.
- Never operate an ATV without proper training or instruction.
- Always follow the age recommendation:
  - A child under 16 years old should never operate an ATV with engine size greater than 90 cc.
- Never allow a child under age 16 to operate an ATV without adult supervision, and never allow continued use of an ATV by a child if he or she does not have the abilities to operate it safely.

- Never carry a passenger on an ATV.
- Always avoid operating an ATV on any paved surfaces, including sidewalks, driveways, parking lots and paved streets.
- Never operate an ATV on any paved street, paved road or motorway.
- Watch carefully for other vehicles when operating on unpaved public streets or roads. Make sure you know your country's laws and regulations before you ride on unpaved public streets or roads.
- Never operate an ATV without wearing an approved motorcycle helmet that fits properly. You should also wear eye protection (goggles or face shield), gloves, boots, a long-sleeved shirt or a jacket, and long pants.
- Never consume alcohol or drugs before or while operating this ATV.
- Never operate at speeds too fast for your skills or the riding conditions. Always go at a speed that is proper for the terrain, visibility, operating conditions, and your experience.
- Never attempt wheelies, jumps, or other stunts.

- Always inspect your ATV each time you use it to make sure it is in safe operating condition. Always follow the inspection and maintenance procedures and schedules described in this manual.
- Always keep both hands on the handlebars and both feet on the footboards of the ATV during operation.
- Always go slowly and be extra careful when operating on unfamiliar terrain. Always be alert to changing terrain conditions when operating the ATV.
- Never operate on excessively rough, slippery or loose terrain until you have learned and practiced the skills necessary to control the ATV on such terrain. Always be especially cautious on these kinds of terrain.
- Always follow proper procedures for turning as described in this manual. Practice turning at low speeds before attempting to turn at faster speeds and never turn at excessive speeds.
- Never operate the ATV on hills too steep for the ATV or for your abilities. Practice on smaller hills before attempting larger hills.
- Always follow proper procedures for climbing hills as described in this manual. Check the terrain carefully before you start up any hill. Never climb hills with excessively slippery or loose surfaces. Shift your weight forward. Never open the throttle suddenly or make sudden gear changes. Never go over the top of a hill at high speed.
- Always follow proper procedures for going down hills and for braking on hills as described in this manual. Check the terrain carefully before you start down any hill. Shift your weight backward. Never go down a hill at high speed. Avoid going down a hill at an angle that would cause the vehicle to lean sharply to one side. Go straight down the hill where possible.
- Always follow proper procedures for crossing the side of a hill as described in this manual. Avoid hills with excessively slippery or loose surfaces. Shift your weight to the uphill side of the ATV. Never attempt to turn the ATV around on any hill until you have mastered the turning technique described in this manual on level ground. Avoid crossing the side of a steep hill if possible.
- Always use proper procedures if you stall or roll backwards when climbing a hill. To avoid stalling, use the proper gear and maintain a steady

speed when climbing a hill. If you stall or roll backwards, follow the special procedure for braking described in this manual. Dismount on the uphill side or to a side if pointed straight uphill. Turn the ATV around and remount, following the procedure described in this manual.

- Always check for obstacles before operating in a new area.
- Never attempt to operate over large obstacles, such as large rocks or fallen trees. Always follow proper procedures when operating over obstacles as described in this manual.
- Always be careful when skidding or sliding. Learn to safely control skidding or sliding by practicing at low speeds and on level, smooth terrain. On extremely slippery surfaces, such as ice, go slowly and be very cautious in order to reduce the chance of skidding or sliding out of control.
- Never operate an ATV in fast flowing water or in water deeper than that recommended in this manual. Remember that wet brakes may have reduced stopping ability. Test your brakes after leaving water. If necessary, apply them several times to let friction dry out the linings.

- Always be sure there are no obstacles or people behind you when you operate in reverse. When it is safe to proceed in reverse, go slowly.
- Always use the size and type of tires specified in this manual.
- Always maintain proper tire pressure as described in this manual.
- Never modify an ATV through improper installation or use of accessories.
- Never exceed the stated load capacity for an ATV. Cargo should be properly distributed and securely attached. Reduce speed and follow instructions in this manual for carrying cargo or pulling a trailer. Allow greater distance for braking.

EWB00071

 **WARNING**

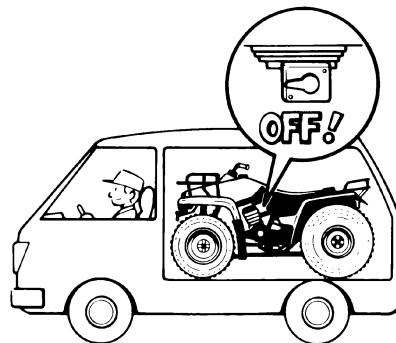
**Avoid Carbon Monoxide Poisoning**

**All engine exhaust contains carbon monoxide, a deadly gas. Breathing carbon monoxide can cause headaches, dizziness, drowsiness, nausea, confusion, and eventually death.**

**Carbon Monoxide is a colorless, odorless, tasteless gas which may be present even if you do not see or smell any engine exhaust. Deadly levels of carbon monoxide can collect rapidly**

and you can quickly be overcome and unable to save yourself. Also, deadly levels of carbon monoxide can linger for hours or days in enclosed or poorly ventilated areas. If you experience any symptoms of carbon monoxide poisoning, leave the area immediately, get fresh air, and **SEEK MEDICAL TREATMENT.**

- Do not run engine indoors. Even if you try to ventilate engine exhaust with fans or open windows and doors, carbon monoxide can rapidly reach dangerous levels.
- Do not run engine in poorly ventilated or partially enclosed areas such as barns, garages, or carports.
- Do not run engine outdoors where engine exhaust can be drawn into a building through openings such as windows and doors.



---

EWB02591

**⚠ WARNING**

When transporting the ATV in another vehicle, be sure it is kept upright and that the fuel cock is in the “OFF” position. Otherwise, fuel may leak out of the carburetor or fuel tank.

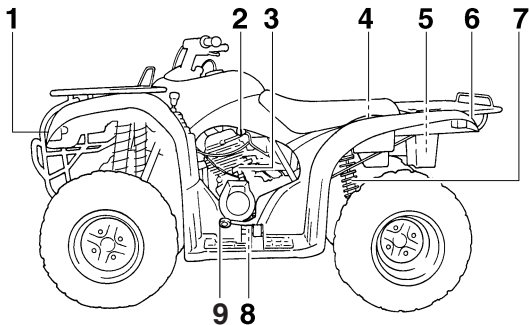
---

# DESCRIPTION

EBU17690

## Left view

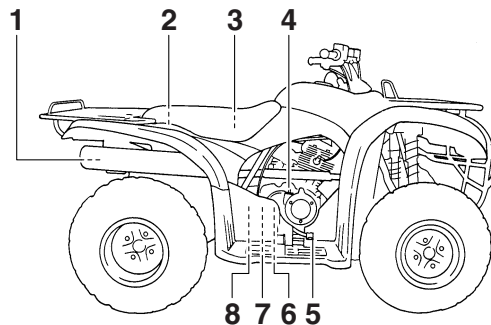
3



1. Headlights
2. Fuel cock
3. Recoil starter
4. Fuses
5. Battery
6. Tail/brake light
7. Rear shock absorber assembly spring preload adjusting ring
8. Engine oil drain bolt
9. Shift pedal

EBU17700

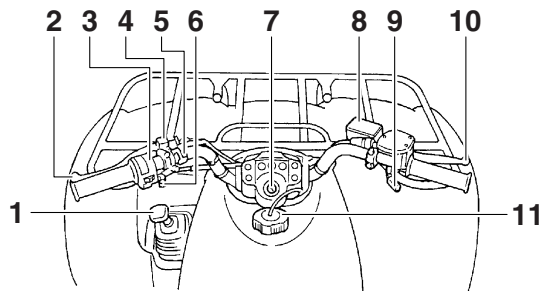
## Right view



1. Spark arrester
2. Storage compartment and tool kit
3. Air filter case
4. Engine oil filler cap
5. Brake pedal
6. Clutch adjusting screw
7. Oil filter element
8. Rear brake light switch



## Controls and instruments



1. Drive select lever
2. Rear brake lever
3. Handlebar switches
4. Parking brake lock plate
5. Horn switch
6. Starter (choke)
7. Main switch
8. Brake fluid reservoir
9. Throttle lever
10. Front brake lever
11. Fuel tank cap

**TIP** \_\_\_\_\_  
The ATV you have purchased may differ slightly from the figures shown in this manual.

---

# INSTRUMENT AND CONTROL FUNCTIONS

EBU17760

## Main switch

The positions of the main switch are as follows:

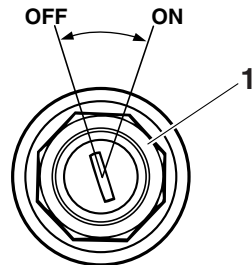
### ON

4

All electrical systems are supplied with power. The headlights and taillight come on when the light switch is on, and the engine can be started. The key cannot be removed.

### OFF

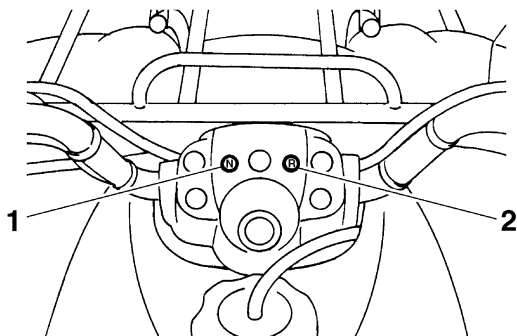
All electrical systems are off. The key can be removed.



1. Main switch

EBU17793

## Indicator lights



1. Neutral indicator light “N”
2. Reverse indicator light “R”

EBU17860

### Neutral indicator light “N”

This indicator light comes on when the transmission is in the neutral position.

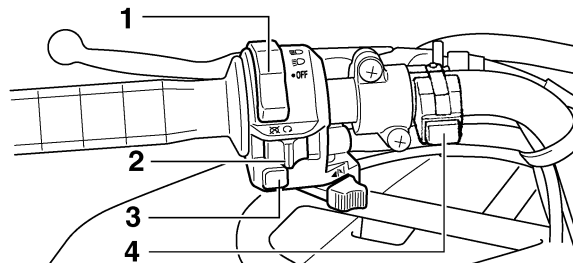
EBU17830







### Reverse indicator light “R”

This indicator light comes on when the transmission is in the reverse position.

EBU18061



## Handlebar switches



1. Light switch “ /  / OFF”
2. Engine stop switch “ / ”
3. Start switch “”
4. Horn switch “”

EBU18080

### Engine stop switch “ / ”

Set this switch to “” before starting the engine. The engine stop switch controls the ignition and stops the engine when it is running. Use this switch to stop the engine in an emergency situation. The engine will not start or run when this switch is set to “”.


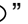
EBU18101

### Start switch “”

Push this switch to crank the engine with the starter. See the starting instructions on page 6-1 prior to starting the engine.

EBU18152

### Light switch “ / / OFF”

Set this switch to “” to turn on the low beams and the taillight. Set the switch to “” to turn on the high beams and the taillight. Set the switch to “OFF” to turn off all the lights.

ECB00041

### **NOTICE**

**Do not use the headlights with the engine turned off for an extended period of time, otherwise the battery may discharge to the point that the starter motor will not operate properly. If this should happen, remove the battery and recharge it. See page 8-39 for battery charging information.**

EBU18170

### Horn switch “”

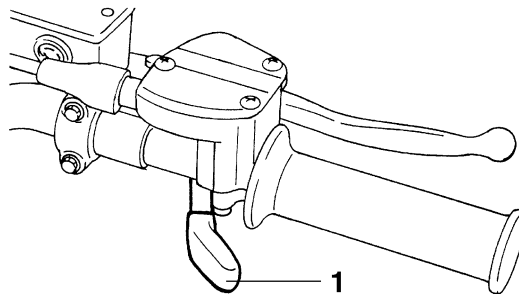
Press the switch to sound the horn.

EBU18282

### Throttle lever

Once the engine is running, pushing the throttle lever will increase the engine speed.

Regulate the speed of the ATV by varying the throttle position. Because the throttle is spring-loaded, the ATV will decelerate, and the engine will return to an idle any time the throttle lever is released.



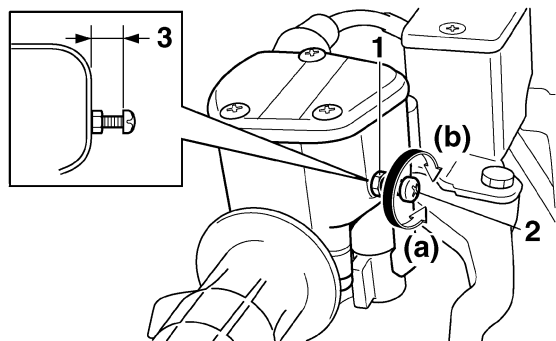
1. Throttle lever

Before starting the engine, check the throttle to be sure it is operating smoothly. Make sure it returns to the idle position as soon as the lever is released.

## Speed limiter

Your ATV is equipped with an adjustable speed limiter. The speed limiter keeps the throttle from fully opening, even when the throttle lever is pushed to the maximum.

1. Loosen the locknut.
2. To increase the maximum engine power available and the maximum speed of the ATV, turn the adjusting screw in direction (a). To decrease the maximum engine power available and the maximum speed of the ATV, turn the adjusting screw in direction (b). Do not turn the adjusting screw out more than 12 mm (0.47 in) or the throttle cable could be damaged. Always make sure the throttle lever free play is adjusted to 3.0–5.0 mm (0.12–0.20 in). (See page 8-27.) **WARNING! Improper adjustment of the speed limiter and throttle could cause throttle cable damage or improper throttle operation. You could lose control, resulting in an accident.** [EWB00241]

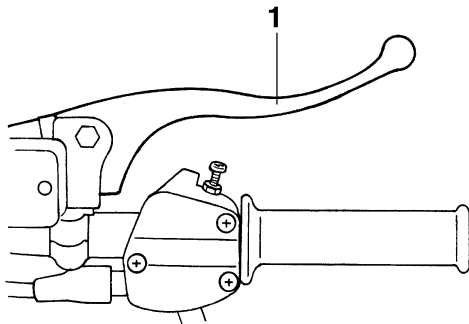


1. Locknut
  2. Adjusting screw
  3. No more than 12 mm (0.47 in)
3. Tighten the locknut.

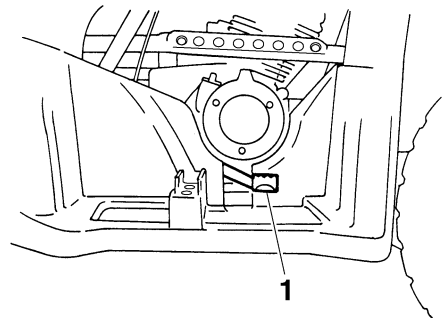
EBU18391

## Front brake lever

The front brake lever is located on the right handlebar. To apply the front brake, pull the brake lever toward the handlebar grip.



1. Front brake lever

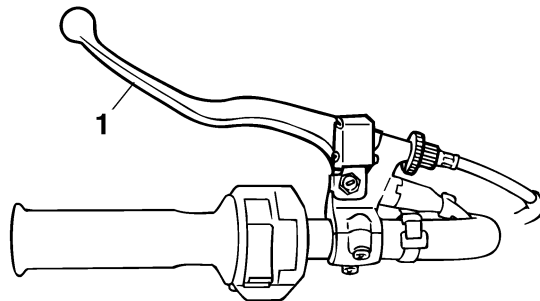


1. Brake pedal

EBU18442

## Brake pedal and rear brake lever

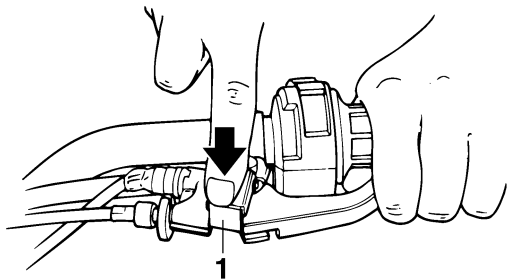
The brake pedal is located on the right side of the ATV and the rear brake lever is located on the left handlebar. To apply the rear brake, push down on the brake pedal or pull the brake lever toward the handlebar grip.



1. Rear brake lever

## Parking brake

Use the parking brake before starting the engine or parking the ATV, especially on a slope. Apply the rear brake lever and push down the lock plate to apply the parking brake. Squeeze the rear brake lever to release the parking brake.



1. Parking brake lock plate

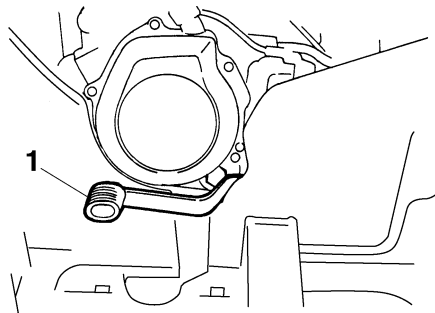
### WARNING

- **Always set the parking brake before starting the engine. The ATV could start moving unexpectedly if the parking brake is not applied. This could cause loss of control or a collision.**

- **Always be sure you have released the parking brake before you begin to ride. The brake could overheat if you ride the ATV without releasing the parking brake. You could lose braking performance which could cause an accident. You could also wear out the brakes prematurely.**

## Shift pedal

This ATV is equipped with a constant-mesh 5-speed transmission. The shift pedal is located on the left side of the engine. Neutral is at the bottom position.

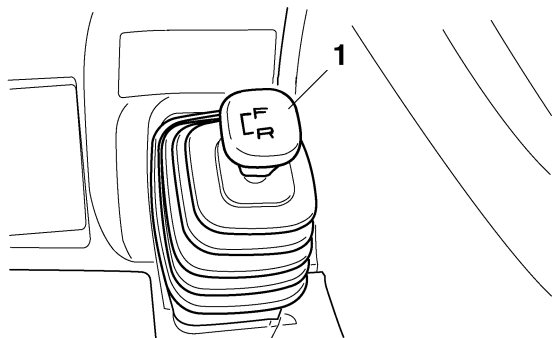


1. Shift pedal

## Drive select lever

The drive select lever is used for driving the ATV either forward or in reverse. See the “Operating the drive select lever and driving in reverse” section on page 6-3 for the drive select lever operation.

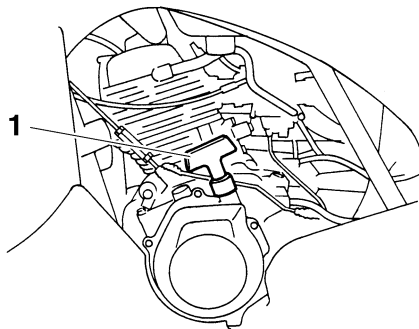
4



1. Drive select lever

## Recoil starter

Firmly grasp the handle and pull slightly until engagement can be felt. Then pull forcefully, being careful not to pull the rope all the way out.



1. Recoil starter

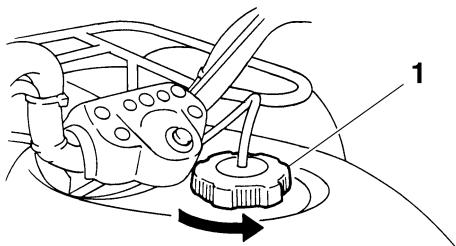


**Shift the transmission into the neutral position and apply the parking brake before starting the engine, otherwise the ATV could start to move unexpectedly, which could cause an accident.**

## Fuel tank cap

Remove the fuel tank cap by turning it counter-clockwise.





1. Fuel tank cap

EBU18754

## Fuel

Make sure there is sufficient gasoline in the tank.

EWB02521



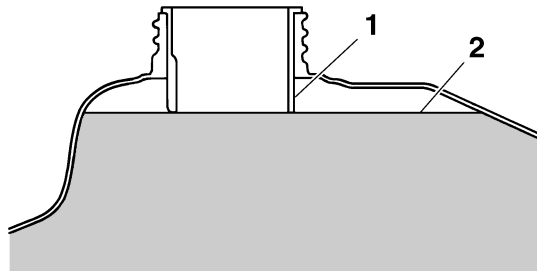
**Gasoline and gasoline vapors are extremely flammable. To avoid fires and explosions and to reduce the risk of injury when refueling, follow these instructions.**

1. Before refueling, turn off the engine and be sure that no one is sitting on the vehicle. Never refuel while smoking, or while in the vicinity

of sparks, open flames, or other sources of ignition such as the pilot lights of water heaters and clothes dryers.

2. Do not overfill the fuel tank. When refueling, be sure to insert the pump nozzle into the fuel tank filler hole. Stop filling when the fuel reaches the bottom of the filler tube. Because fuel expands when it heats up, heat from the engine or the sun can cause fuel to spill out of the fuel tank.

4



1. Fuel tank filler tube
2. Maximum fuel level

Recommended fuel:

**UNLEADED GASOLINE ONLY**

For Europe: Regular unleaded gasoline only with a research octane number of 91 or higher

Fuel tank capacity:

12.0 L (3.17 US gal, 2.64 Imp.gal)

Fuel reserve amount:

1.6 L (0.42 US gal, 0.35 Imp.gal)

- Wipe up any spilled fuel immediately. **NOTICE: Immediately wipe off spilled fuel with a clean, dry, soft cloth, since fuel may deteriorate painted surfaces or plastic parts.** [ECB00981]
- Turn the fuel tank cap fully clockwise to make sure it is securely closed.

EWB02531



**WARNING**

**Gasoline is poisonous and can cause injury or death. Handle gasoline with care. Never siphon gasoline by mouth. If you should swallow some gasoline or inhale a lot of gasoline vapor, or get some gasoline in your eyes, see your**

**doctor immediately. If gasoline spills on your skin, wash with soap and water. If gasoline spills on your clothing, change your clothes.**

ECB00070

**NOTICE**

**Use only unleaded gasoline. The use of leaded gasoline will cause severe damage to internal engine parts, such as the valves and piston rings, as well as to the exhaust system.**

Your Yamaha engine has been designed to use regular unleaded gasoline with a research octane number of 91 or higher. If knocking (or pinging) occurs, use a gasoline of a different brand. Use of unleaded fuel will extend spark plug life and reduce maintenance costs.

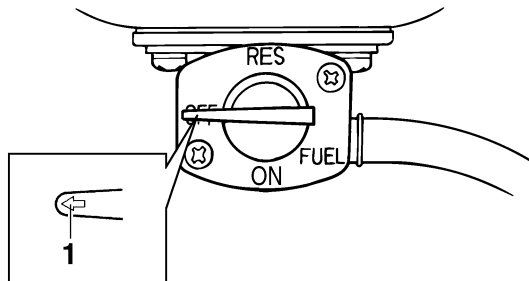
EBU18820

**Fuel cock**

The fuel cock supplies fuel from the tank to the carburetor while also filtering it.

The fuel cock lever positions are explained as follows and shown in the illustrations.

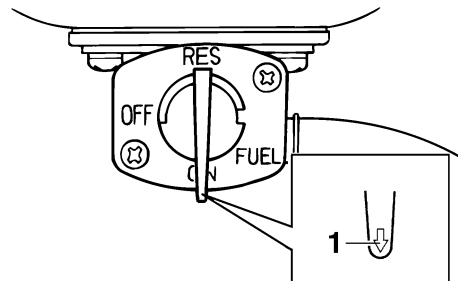
## OFF



1. Arrow mark positioned over "OFF"

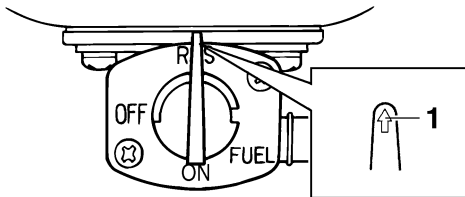
With the fuel cock lever in this position, fuel will not flow. Always turn the fuel cock lever to this position when the engine is not running.

## ON



1. Arrow mark positioned over "ON"

With the fuel cock lever in this position, fuel flows to the carburetor. Turn the fuel cock lever to this position when starting the engine and riding.



1. Arrow mark positioned over “RES”

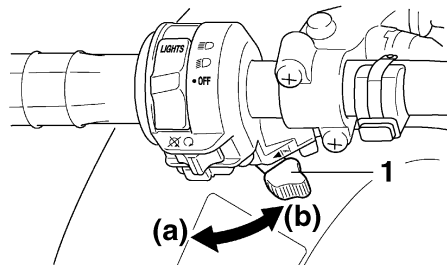
This indicates reserve. With the fuel cock lever in this position, the fuel reserve is made available. Turn the fuel cock lever to this position if you run out of fuel while riding. When this occurs, refuel as soon as possible and be sure to turn the fuel cock lever back to “ON”!


EBU18850

### Starter (choke) “”

Starting a cold engine requires a richer air-fuel mixture, which is supplied by the starter (choke). Move the starter (choke) in direction (a) to turn on the starter (choke).

Move the starter (choke) in direction (b) to turn off the starter (choke). See the “Starting a cold engine” section on page 6-1 for proper operation.



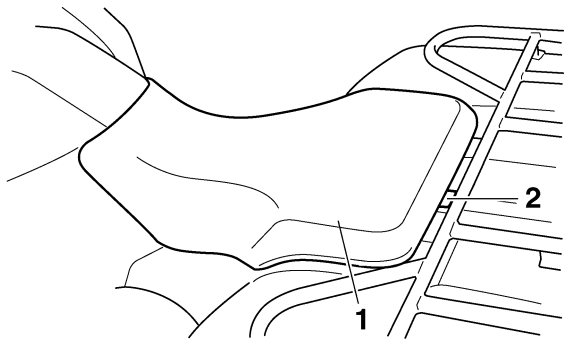
1. Starter (choke) “”

EBU18881

### Seat

#### To remove the seat

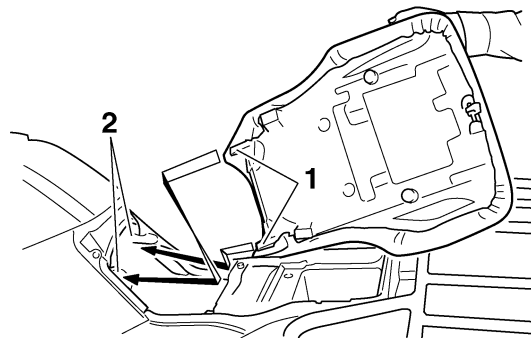
Pull the seat lock lever upward and pull up the seat at the rear.



1. Seat
2. Seat lock lever

### To install the seat

Insert the projections on the front of the seat into the seat holders and push down on the seat at the rear. Make sure that the seat is securely fitted.



1. Projection
2. Seat holder

EBU18921

## Storage compartment

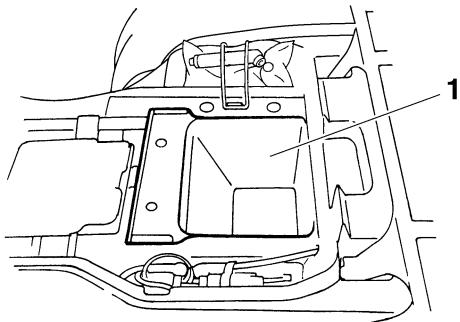
ECB00130

### **NOTICE**

**Do not store metal or sharply edged objects, like tools, in the storage compartment. If they must be stored, wrap them in appropriate cushion material to prevent damaging the storage compartment.**

The storage compartment is located under the seat. (See page 4-11.)

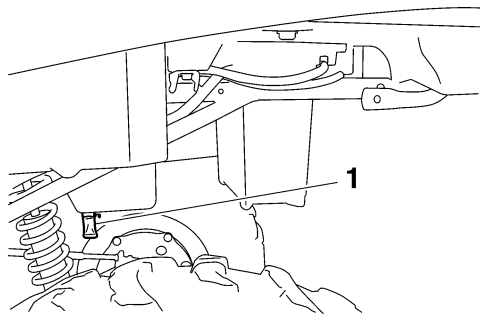
When storing any documents in the storage compartment, be sure to wrap them in a plastic bag so that they will not get wet. When washing the ATV, be careful not to let any water enter the storage compartment.



1. Storage compartment

### TIP

There is a check hose at the bottom of the storage compartment. If any water collects in this hose, remove the hose, empty it, and then install it.



1. Storage compartment check hose

EBU18962

### Front carrier

- Do not exceed the load limit of 30.0 kg (66 lb) for the front carrier.
- Do not exceed the maximum load of 165.0 kg (364 lb) for the ATV.

EBU18972

### Rear carrier

- Do not exceed the load limit of 45.0 kg (99 lb) for the rear carrier.
- Do not exceed the maximum load of 165.0 kg (364 lb) for the ATV.

## Adjusting the rear shock absorber assembly

The spring preload can be adjusted to suit the rider's weight and the riding conditions.

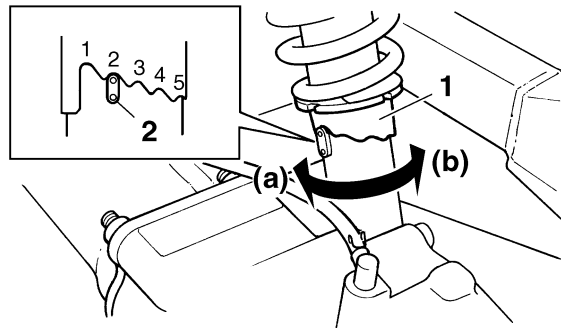
ECB01090

### **NOTICE**

**Never turn the adjusting mechanism beyond the minimum and maximum settings.**

Adjust the spring preload as follows.

Turn the spring preload adjusting ring in direction (a) to increase the spring preload and thereby harden the suspension, and in direction (b) to decrease the spring preload and thereby soften the suspension.

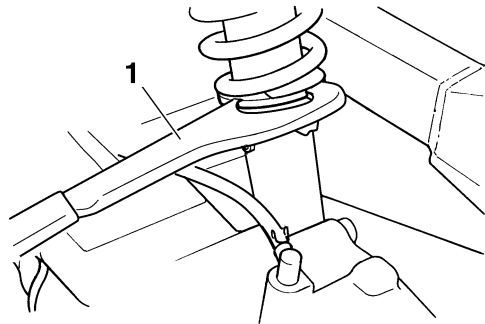


1. Spring preload adjusting ring
2. Position indicator

### **TIP**

A special wrench can be obtained at a Yamaha dealer to make this adjustment.

4



1. Special wrench

Spring preload setting:

Minimum (soft):

1

Standard:

2

Maximum (hard):

5



# PRE-OPERATION CHECKS

Inspect your vehicle each time you use it to make sure the vehicle is in safe operating condition. Always follow the inspection and maintenance procedures and schedules described in the Owner's Manual.

EWB00481



**Failure to inspect or maintain the vehicle properly increases the possibility of an accident or equipment damage. Do not operate the vehicle if you find any problem. If a problem cannot be corrected by the procedures provided in this manual, have the vehicle inspected by a Yamaha dealer.**

5

Before using this vehicle, check the following points:

ITEM	ROUTINE	PAGE
Fuel	<ul style="list-style-type: none"> <li>• Check fuel level in fuel tank, and add recommended fuel if necessary.</li> <li>• Check fuel line for leakage. Correct if necessary.</li> </ul>	4-8, 5-3
Engine oil	<ul style="list-style-type: none"> <li>• Check oil level in engine, and add recommended oil to specified level if necessary.</li> <li>• Check ATV for oil leakage. Correct if necessary.</li> </ul>	5-3, 8-11
Final gear oil	<ul style="list-style-type: none"> <li>• Check ATV for oil leakage. Correct if necessary.</li> </ul>	5-3, 8-18
Front brake	<ul style="list-style-type: none"> <li>• Check operation. If soft or spongy, have Yamaha dealer bleed hydraulic system.</li> <li>• Check brake pads for wear, and replace if necessary.</li> <li>• Check brake fluid level in reservoir, and add recommended brake fluid to specified level if necessary.</li> <li>• Check hydraulic system for leakage. Correct if necessary.</li> </ul>	5-3, 8-28, 8-29, 8-30

ITEM	ROUTINE	PAGE
<b>Rear brake</b>	<ul style="list-style-type: none"> <li>• Check operation, and correct if necessary.</li> <li>• Lubricate cable if necessary.</li> <li>• Check lever and pedal free play, and adjust if necessary.</li> </ul>	5-3, 8-28, 8-31
<b>Throttle lever</b>	<ul style="list-style-type: none"> <li>• Make sure that operation is smooth. Lubricate cable and lever housing if necessary.</li> <li>• Check lever free play, and adjust if necessary.</li> </ul>	5-4, 8-27
<b>Control cables</b>	<ul style="list-style-type: none"> <li>• Make sure that operation is smooth. Lubricate if necessary.</li> </ul>	8-35
<b>Wheels and tires</b>	<ul style="list-style-type: none"> <li>• Check wheel condition, and replace if damaged.</li> <li>• Check tire condition and tread depth. Replace if necessary.</li> <li>• Check air pressure. Correct if necessary.</li> </ul>	5-4
<b>Shift pedal</b>	<ul style="list-style-type: none"> <li>• Make sure that operation is smooth.</li> <li>• Correct if necessary.</li> </ul>	8-37
<b>Brake pedal</b>	<ul style="list-style-type: none"> <li>• Make sure that operation is smooth. Lubricate pedal pivoting point if necessary.</li> </ul>	8-37
<b>Brake levers</b>	<ul style="list-style-type: none"> <li>• Make sure that operation is smooth. Lubricate lever pivoting points if necessary.</li> </ul>	8-36
<b>Chassis fasteners</b>	<ul style="list-style-type: none"> <li>• Make sure that all nuts, bolts and screws are properly tightened.</li> </ul>	5-6
<b>Instruments, lights and switches</b>	<ul style="list-style-type: none"> <li>• Check operation, and correct if necessary.</li> </ul>	5-6
<b>Battery</b>	<ul style="list-style-type: none"> <li>• Check electrolyte level. Fill with distilled water if necessary.</li> </ul>	5-6, 8-39

EBU19541

## Fuel

Make sure that there is sufficient fuel in the tank. (See page 4-8.)

EBU19560

## Engine oil

Make sure that the engine oil is at the specified level. Add oil as necessary. (See page 8-11.)

EBU19590

## Final gear oil

Make sure that the final gear oil is at the specified level. Add oil as necessary. (See page 8-18.)

EBU27671

## Front and rear brakes

### Brake levers and brake pedal

- Check that there is no free play in the front brake lever. If there is free play, have a Yamaha dealer check the brake system.
- Check for correct free play in the rear brake lever and brake pedal. If the free play is incorrect, adjust it. (See page 8-31.)

- Check operation of the levers and pedal. They should move smoothly and there should be a firm feeling when the brake is applied. If not, have a Yamaha dealer check them.

### Brake fluid level (front brake)

Check the brake fluid level. Add fluid if necessary. (See page 8-29.)

Recommended brake fluid:  
DOT 4

### Brake fluid leakage (front brake)

Check to see if any brake fluid is leaking out of the hose, joint or brake fluid reservoir of the front brake. Apply the brake firmly for one minute. If the lever moves slowly inward, there may be a leak in the brake system. If there is any leakage, the brake system should be checked by a Yamaha dealer.

### Brake operation

Test the brakes at slow speed after starting out to make sure they are working properly. If the brakes do not provide proper braking performance, check the brake pads and shoes for wear. (See page 8-28.)

EBU19761

## Throttle lever

Check the operation of the throttle lever. It must open smoothly and spring back to the idle position when released. Have a Yamaha dealer correct if necessary.

EBU19814

## Tires

5 Check tire pressure regularly to make sure it is at the recommended specifications. Also check for wear and damage.

### Tire pressure

Use the low-pressure tire gauge to check and adjust tire pressures when the tires are cold. Tire pressures must be equal on both sides.

**WARNING! Operation of this vehicle with improper tire pressure may cause severe injury or death from loss of control or rollover. Tire pressure below the minimum specified could also cause the tire to dislodge from the rim under severe riding conditions.** [EWB02541] Set tire pressures to the following specifications:

### Recommended tire pressure:

Front

20.0 kPa (0.200 kgf/cm<sup>2</sup>, 2.9 psi)

Rear

25.0 kPa (0.250 kgf/cm<sup>2</sup>, 3.6 psi)

### Minimum tire pressure:

Front

17.0 kPa (0.170 kgf/cm<sup>2</sup>, 2.5 psi)

Rear

22.0 kPa (0.220 kgf/cm<sup>2</sup>, 3.2 psi)

### Maximum tire seating pressure:

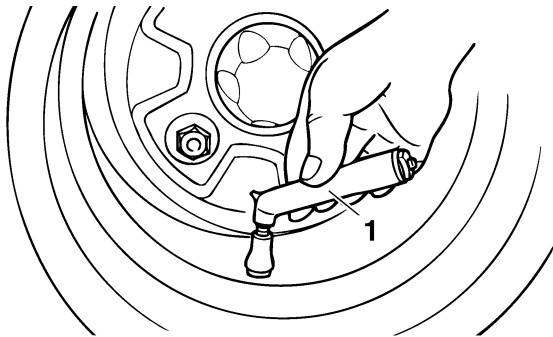
Front

250 kPa (2.5 kgf/cm<sup>2</sup>, 36 psi)

Rear

250 kPa (2.5 kgf/cm<sup>2</sup>, 36 psi)

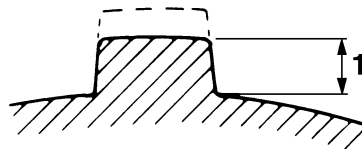
The low-pressure tire gauge is included as standard equipment. Make two measurements of the tire pressure and use the second reading. Dust or dirt in the gauge could cause the first reading to be incorrect.



1. Low-pressure tire gauge

### **Tire wear limit**

When the tire groove decreases to 3 mm (0.12 in) due to wear, replace the tire.



1. Tire wear limit

### **Tire information**

This ATV is equipped with tubeless tires with valves.

EWB02551



**Use of improper tires on this ATV may cause loss of control, increasing your risk of an accident.**

After extensive tests, only the tires listed below have been approved for this model by Yamaha Motor Manufacturing Corporation of America.

**Front:**

Manufacturer/model:

YFM250A CARLISLE/TRAIL WOLF

YFM25BA MAXXIS/M905

Size:

AT22 x 7.00-10

Type:

Tubeless

**Rear:**

Manufacturer/model:

YFM250A CARLISLE/TRAIL WOLF

YFM25BA MAXXIS/M906

Size:

AT22 x 10.00-10

Type:

Tubeless

EBU19840

**Chassis fasteners**

Make sure that all nuts, bolts and screws are properly tightened.

EBU19850

**Instruments, lights and switches**

Check that all instruments, lights and switches are working properly. Correct if necessary.

EBU19860

**Battery**

Check the fluid level in the battery. Fill with distilled water if necessary. (See page 8-39.)

**Aftermarket tires and rims**

The tires and rims that came with your ATV were designed to match the performance capabilities and to provide the best combination of handling, braking, and comfort. Other tires, rims, sizes, and combinations may not be appropriate.

# OPERATION

Read the Owner's Manual carefully before riding the ATV. If there is a control or function you do not understand, ask your Yamaha dealer.

EWB00631

## WARNING

**Read the Owner's Manual carefully to become familiar with all controls in order to help prevent any loss of control, which could cause an accident or injury.**

EBU19994

## Starting a cold engine

ECB00150

### NOTICE

**See the "Engine break-in" section on page 6-6 prior to operating the engine for the first time.**

1. Set the parking brake.
2. Turn the fuel cock to "ON".
3. Turn the key to "ON" and the engine stop switch to "○".

4. Shift the transmission into neutral. The neutral indicator light should come on. If the indicator light does not come on, have a Yamaha dealer check the electrical circuit.

### TIP

The engine can be started under the following conditions:

- The transmission is in neutral.
- The rear brake lever is applied with the transmission in any gear. However, it is recommended to shift into neutral before starting the engine.

5. Use the starter (choke) in reference to the figure:

#### Position (1):

Cold engine start with ambient temperature below 5 °C (40 °F).

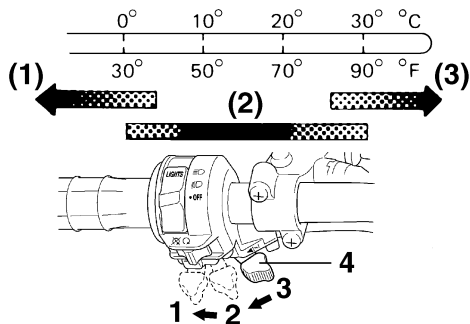
#### Position (2):

Cold engine start with ambient temperature between 0 °C (30 °F) and 30 °C (90 °F).

#### Position (3):

Cold engine start with ambient temperature above 25 °C (80 °F).

## Ambient temp./starter (choke) position



6

1. Fully open
2. Half open
3. Closed
4. Starter (choke)

6. Completely close the throttle lever and start the engine by pushing the start switch.

### TIP \_\_\_\_\_

- If the engine fails to start, release the start switch, then push it again. Pause a few seconds before the next attempt. Each cranking should be as short as possible to preserve battery energy. Do not crank the engine more than 10 seconds on each attempt.

- If the battery is discharged, pull the recoil starter to start the engine.

7. If the engine is started with the starter (choke) in position (1), the starter (choke) should be returned to position (2) to warm up the engine. If the engine is started with the starter (choke) in position (2), keep the starter (choke) in this position to warm up the engine.
8. Continue warming up the engine until it idles smoothly, then return the starter (choke) to position (3) before riding.

### TIP \_\_\_\_\_

The engine is warm when it responds quickly to the throttle with the starter (choke) turned off.

ECB00163

### NOTICE \_\_\_\_\_

**For maximum engine life, never accelerate hard when the engine is cold!**



## Starting a warm engine

Follow the same procedure as for starting a cold engine, with the exception that the starter (choke) is not required when the engine is warm. Instead, start the engine with the throttle slightly open.

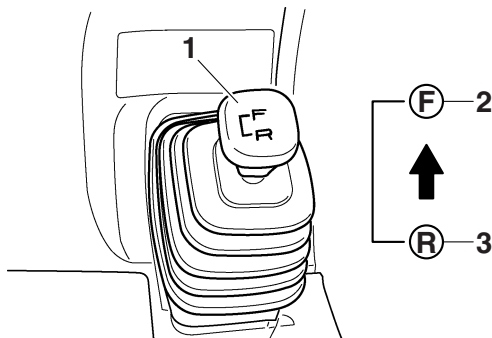
## Operating the drive select lever and driving in reverse

### NOTICE

**Before shifting, stop the ATV, otherwise the transmission may be damaged.**

### Shifting: Reverse to Forward

1. Bring the ATV to a complete stop.
2. Apply the brake pedal.
3. Move the drive select lever forward until it completely stops.



1. Drive select lever
2. Forward "F"
3. Reverse "R"

4. Release the brake pedal, and then open the throttle lever gradually.

### Shifting: Forward to Reverse

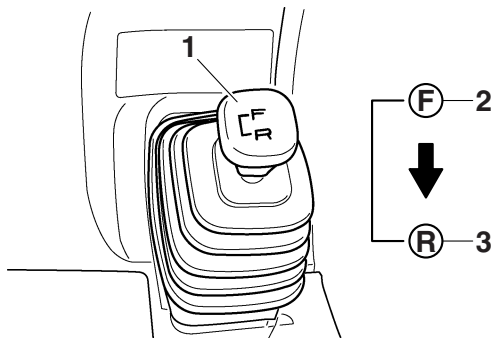


**Improper operation in reverse could make you hit an obstacle or even a person behind you, resulting in serious injury. When you shift into reverse, make sure there are no people or obstacles behind you. When it is safe to proceed, go slowly.**

## TIP \_\_\_\_\_

To shift into reverse, the transmission must be in first gear.

1. Bring the ATV to a complete stop.
2. Apply the brake pedal.
3. Shift the transmission into first gear.
4. Move the drive select lever to the rear until it completely stops.



1. Drive select lever
2. Forward "F"
3. Reverse "R"

## TIP \_\_\_\_\_

When in reverse, the reverse indicator light should be on. If the indicator light does not come on, have a Yamaha dealer check the electrical circuit.

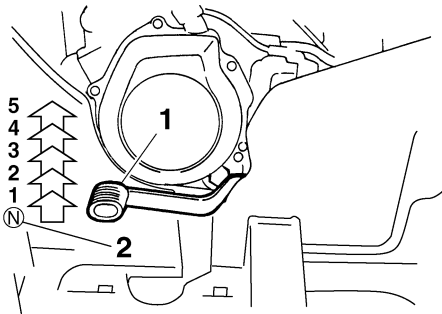
5. Check behind you for people or obstacles, and then release the brake pedal.
6. Open the throttle lever gradually and continue to watch to the rear while backing.

EBU20551

## Shifting

This ATV has a 5-speed forward transmission with a centrifugal, automatic clutch. The transmission allows you to control the amount of power you have available at a given speed or for starting accelerating, climbing, etc.

To shift into neutral, release the throttle lever and repeatedly depress the shift pedal until it stops.



1. Shift pedal
2. Neutral position

EBU20611

### To start out and accelerate

1. Release the throttle lever.

ECB00200

### **NOTICE**

**Always close the throttle before shifting gears, otherwise damage to the engine and drive train may result.**

2. Shift into first gear and release the shift pedal.

3. Open the throttle gradually. **WARNING! Always open the throttle gradually. Opening the throttle abruptly would increase the chance of an accident. It could make the ATV wheelie or overturn.** [EWB00741]
4. Once the ATV has attained adequate speed, release the throttle lever.
5. Shift into second gear and release the shift pedal.
6. Open the throttle gradually.
7. Follow the same procedure when shifting to the next higher gear.

EBU20650

### To decelerate

When slowing down or stopping, release the throttle and apply the brakes smoothly and evenly. As you slow down, shift to a lower gear. Be sure that the engine has sufficiently slowed before engaging a lower gear. Improper use of the brakes or shifting can cause the tires to lose traction, reducing control and increasing the possibility of an accident.

EWB00710

### **WARNING**

**Make sure the engine has sufficiently slowed before shifting to a lower gear. Engaging a lower gear when the engine speed is too high**

could make the wheels stop rotating and lose traction. This could cause loss of control, an accident and injury. It could also cause engine or drive train damage.

---

ECB00190

### **NOTICE**

---

**Even with the transmission in the neutral position, do not coast for long periods of time with the engine off, and do not tow the ATV for long distances. The transmission is properly lubricated only when the engine is running. Inadequate lubrication may damage the transmission.**

---

6

EBU20672

## **Engine break-in**

### **TIP**

---

- For ATVs equipped with an odometer or an hour meter, follow the figures given in km (mi) or the figures given in hours.
  - For ATVs not equipped with an odometer or hour meter, follow the figures given in hours.
- 

There is never a more important period in the life of your engine than the first 320 km (200 mi) or 20 hours of riding. For this reason, you should read the following material carefully.

Since the engine is brand new, do not put an excessive load on it for the first 320 km (200 mi) or 20 hours. The various parts in the engine wear and polish themselves to the correct operating clearances. During this period, prolonged full-throttle operation or any condition that might result in engine overheating must be avoided.

### **0–160 km (0–100 mi) or 0–10 hours**

Avoid prolonged operation above 1/2 throttle. Vary the speed of the ATV regularly. Do not operate it at one set throttle position.

### **160–320 km (100–200 mi) or 10–20 hours**

Avoid prolonged operation above 3/4 throttle. Rev the engine through the gears freely, but do not use full throttle at any time.

### **320 km (200 mi) or 20 hours and beyond**

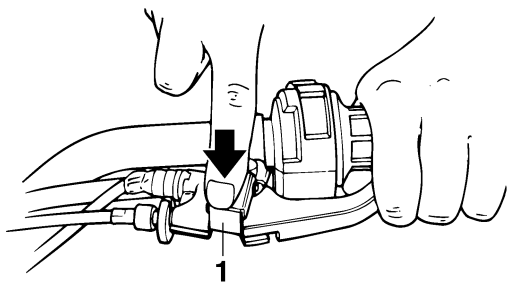
The ATV can now be operated normally.

**NOTICE**

If any engine trouble should occur during the engine break-in period, immediately have a Yamaha dealer check the ATV.

**Parking**

When parking the ATV, shift into first gear, stop the engine, apply the parking brake, and then turn the fuel cock to "OFF".

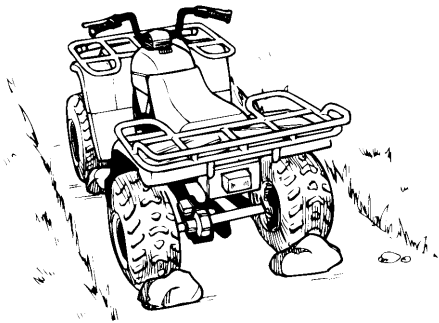


1. Parking brake lock plate

**Parking on a slope****! WARNING**

Avoid parking on hills or other inclines. Parking on a hill or other incline could cause the ATV to roll out of control, increasing the chance of an accident. If you must park on an incline, place the ATV transversely across the incline, shift into first gear, stop the engine, apply the parking brake, and then block the front and rear wheels with rocks or other objects. Never park the ATV on hills that are too steep to walk up easily.

1. With the transmission in first gear, bring the ATV to a stop by applying the brakes.
2. Stop the engine.
3. With the rear brake lever applied, apply the parking brake and slowly release the brake lever.
4. Turn the fuel cock to "OFF".

**6**

EBU20910

## Accessories and loading

EBU20921

### Genuine Yamaha Accessories

Choosing accessories for your ATV is an important decision. Genuine Yamaha Accessories, which are available only from a Yamaha dealer, have been designed, tested, and approved by Yamaha for use on your ATV. Many companies with no connection to Yamaha manufacture parts and accessories or offer other modifications for Yamaha vehicles. Yamaha is not in a position to test the products that these aftermarket companies produce. Therefore, Yamaha can neither endorse nor recommend the use of accessories not sold by

Yamaha or modifications not specifically recommended by Yamaha, even if sold and installed by a Yamaha dealer.

### Aftermarket parts, accessories, and modifications

While you may find aftermarket products similar in design and quality to genuine Yamaha Accessories, recognize that some aftermarket accessories or modifications are not suitable because of potential safety hazards to you or others. Installing aftermarket products or having other modifications performed to your ATV that change any of the vehicle's design or operation characteristics can put you and others at greater risk of serious injury or death. You are responsible for injuries related to changes in the vehicle.

Keep the following in mind when considering an accessory or operating an ATV which has accessories.

- Accessories should be rigidly and securely mounted. An accessory which can shift position or come off while you are riding could affect your ability to control the ATV.
- Do not mount an accessory where it could interfere with your ability to control the ATV. Examples include (but are not limited to) a heavy or

bulky object attached to the handlebars which could make steering difficult, an accessory that limits your ability to move around on the seat, or one that limits your view.

- Use extra caution when riding an ATV with accessories. The ATV may handle differently than it does without accessories.

EBU21101

## Loading

EWB00820



**Never exceed the stated load capacity for this ATV. Overloading this ATV or carrying or towing cargo improperly could cause changes in ATV handling which could lead to an accident. Cargo should be properly distributed and securely attached. Reduce speed when carrying cargo or pulling a trailer. Allow greater distance for braking.**

Cargo or a trailer can change the stability and handling of an ATV.

You must use common sense and good judgment when carrying cargo or towing a trailer. Keep the following points in mind:

- Never exceed the weight limits shown. An overloaded ATV can be unstable.

### MAXIMUM LOADING LIMIT

ATV loading limit (total weight of rider, cargo, accessories, and tongue):

165.0 kg (364 lb)

Front carrier:

30.0 kg (66 lb)

Rear carrier:

45.0 kg (99 lb)

Trailer hitch:

Pulling load (total weight of trailer and cargo):

3230 N (330 kgf, 727 lbf)

Tongue weight (vertical weight on trailer hitch point):

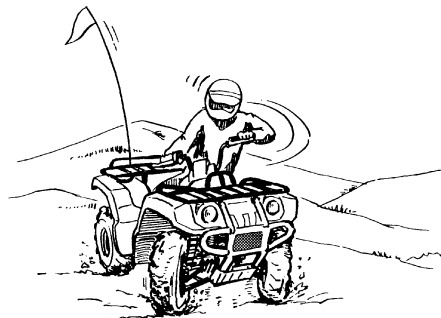
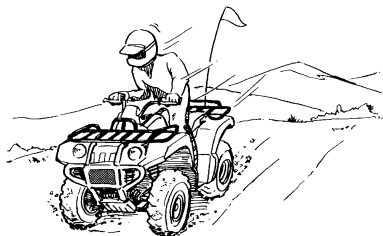
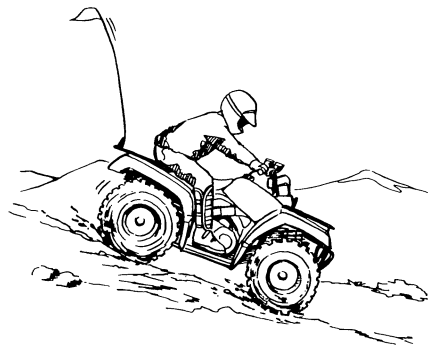
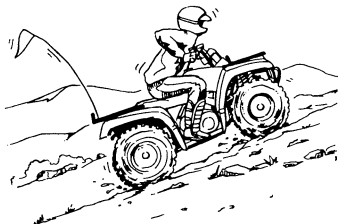
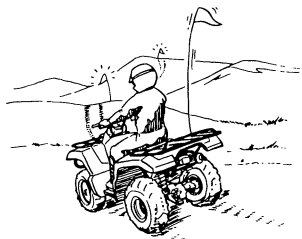
147 N (15 kgf, 33 lbf)

- Do not exceed the maximum tongue weight. You can measure tongue weight with a bathroom scale. Put the tongue of the loaded trailer on the scale with the tongue at hitch height. Adjust the load in the trailer, if necessary, to reduce the weight on the hitch. If you are carrying cargo and towing a trailer, include the tongue weight in the maximum ATV load limit.

- Load cargo on the carriers as close to the center of the ATV as possible. Put cargo at the rear of the front carrier, at the front of the rear carrier, and center it.
- Tie down cargo securely to the carriers. Make sure cargo in the trailer cannot move around. A shifting load can cause an accident.
- Make sure the load does not interfere with controls or your ability to see where you are going.
- Ride more slowly than you would without a load. The more weight you carry, the slower you should go. Although conditions vary, it is good practice not to exceed 2nd gear whenever you are carrying heavier loads or when towing a trailer.
- Allow more braking distance. A heavier ATV takes longer to stop.
- Avoid making sharp turns unless at very slow speeds.
- Avoid hills and rough terrain. Choose terrain carefully. Added weight affects the stability and handling of the ATV.



# RIDING YOUR ATV



## GETTING TO KNOW YOUR ATV

This ATV is for recreation and utility use. This section, *Riding your ATV*, provides general ATV riding instructions for recreational riding. The skills and techniques described in this section, however, are appropriate for all types of riding. Riding your ATV requires special skills acquired through practice over a period of time. Take the time to learn the basic techniques well before attempting more difficult maneuvers.

7

Riding your new ATV can be a very enjoyable activity, providing you with hours of pleasure. But it is essential to familiarize yourself with the operation of the ATV to achieve the skill necessary to enjoy riding safely. Before you begin to ride, be sure you have read this Owner's Manual completely and understand the operation of the controls. Pay particular attention to the safety information on pages 2-1–2-4. Also read all warning and notice labels on your ATV.

## RIDE WITH CARE AND GOOD JUDGMENT

Get training if you are inexperienced.

EWB01381

### WARNING

- **Do not operate this ATV or allow anyone else to operate it without proper instruction. The risk of an accident is greatly increased if the operator does not know how to operate the ATV properly in different situations and on different types of terrain.**
- **Do not operate this ATV at speeds too fast for your skills or the conditions, as this increases your chances of losing control of the ATV and an accident. Always go at a speed that is proper for the terrain, visibility and operating conditions, and your experience.**

---

Beginning and inexperienced operators should regularly practice the skills and the operating techniques described in this Owner's Manual.

**Riding your ATV requires skills acquired through practice over a period of time.**

Do not attempt to operate at maximum performance until you are totally familiar with the ATV's handling and performance characteristics. Take the time to learn the basic techniques well before attempting more difficult maneuvers. Become familiar with this ATV at slow speeds first, even if you are an experienced operator.

**Not recommended for children under 16 years of age.**

EWB01390



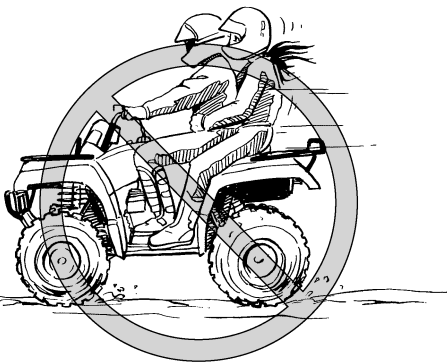
**A child under 16 should never operate an ATV with engine size greater than 90 cc. Use by children of ATVs that are not recommended for their age can lead to severe injury or death of the child.**

---



**This ATV is designed to carry the operator and cargo only – passengers prohibited.**

The long seat is to allow the operator to shift position as needed during operation. It is not for carrying passengers. **WARNING! Never carry a passenger. Carrying a passenger on this ATV greatly reduces your ability to balance and control this ATV. You could have an accident, resulting in severe injury or death to you and/or your passenger.** [EWB01401]



7

## Apparel

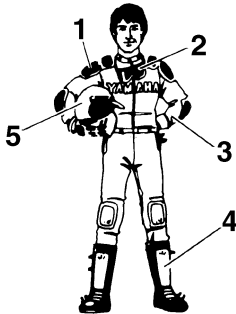
Always wear the following to reduce risk of injury in an accident:

- Approved motorcycle helmet that fits properly
- Eye protection (goggles, helmet face shield, or protective eyewear)
- Over-the-ankle boots, gloves, long-sleeved shirt or jacket, and long pants

An approved helmet and other personal protective equipment can reduce the severity of injuries in an accident. **WARNING! Operating without an approved motorcycle helmet increases your chances of a severe head injury or death in the event of an accident.** [EWB01411]

Wear eye protection when operating your ATV to reduce the risk of a serious accident or injury. Eye protection, such as a face shield or goggles, may reduce the risk of foreign material getting in your eyes and help prevent loss of vision. **WARNING! Operating without eye protection can result in an accident and increases your chances of a severe injury in the event of an accident.**

[EWB02611]



1. Protective clothing
2. Goggles
3. Gloves
4. Boots
5. Helmet

### **Do not operate after or while consuming alcohol or drugs.**

The operator's performance capability is reduced by the influence of alcohol or drugs. Consuming alcohol or drugs could seriously affect your judgment, cause you to react more slowly, and affect your balance and perception. **WARNING! Never consume alcohol or drugs before or while driving this ATV. You increase your chance of an accident.** [EWB01421]



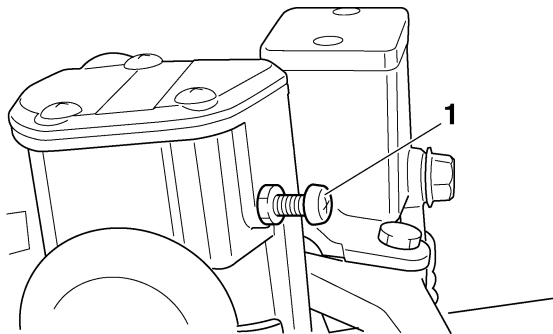
### **Pre-operation checks**

Always inspect your ATV each time you use it to make sure the ATV is in safe operating condition. Perform the pre-operation checks listed on page 5-1. Always follow the inspection and maintenance procedures and schedules described in the Owner's Manual. **WARNING! Failure to inspect the ATV before operating it and to maintain it properly increases the possibility of an accident or equipment damage.** [EWB01431]

### **Speed limiter**

For riders less experienced with this model, the throttle lever housing is equipped with a speed limiter. The speed limiter keeps the throttle from fully

opening, even when the throttle lever is pushed to the maximum. Turning in the adjusting screw limits the maximum engine power available and decreases the maximum speed of the ATV. Turning in the adjusting screw decreases top speed, and turning it out increases top speed. (See page 4-4.)



1. Adjusting screw

## Loading and accessories

EWB01462



**Improper loading or towing can increase the risk of loss of control, an overturn, or other accident. To reduce the risk of an accident:**

- **Do not exceed the maximum loading limits for the vehicle (see “MAXIMUM LOADING LIMIT” in this section or vehicle labeling).**
- **Keep weight on racks centered side to side, and as low as possible. Be sure cargo is secured – a loose load could change handling unexpectedly.**
- **Make sure the load does not interfere with your control or ability to see where you are going.**
- **Tie down cargo in the trailer securely. Make sure cargo in the trailer cannot move around. A shifting load can cause an accident.**
- **Reduce speed and allow more room to stop. A heavier vehicle takes longer to stop.**
- **Avoid hills and rough terrain. Choose terrain carefully. Use extreme caution when towing or carrying a load on inclines.**
- **Turn gradually and go slowly.**

---

Take extra precautions when driving with a load or trailer. Follow these instructions and always use common sense and good judgment when carrying cargo or towing a trailer.

## MAXIMUM LOADING LIMIT

ATV loading limit (total weight of cargo, rider, accessories, and tongue):

165.0 kg (364 lb)

Front carrier:

30.0 kg (66 lb)

Rear carrier:

45.0 kg (99 lb)

Trailer hitch:

Pulling load (total weight of trailer and cargo):

3230 N (330 kgf, 727 lbf)

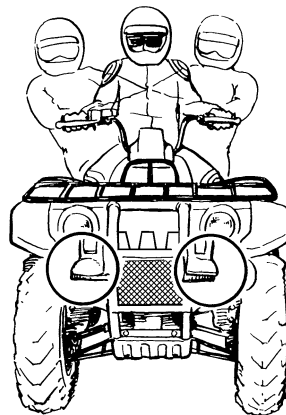
Tongue weight (vertical weight on trailer hitch point):

147 N (15 kgf, 33 lbf)

Drive more slowly than you would without a load. The more weight you carry, the slower you should go. Although conditions vary, it is good practice to drive slowly (shift into first gear or low drive if available on this model) whenever you are carrying heavier loads or when towing a trailer.

## During operation

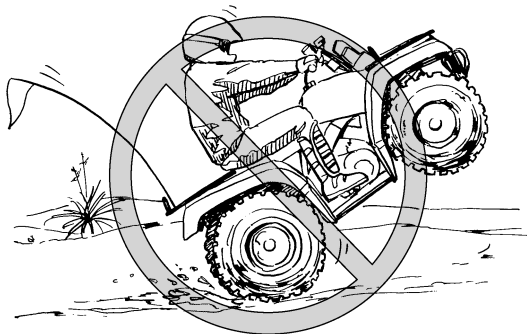
Always keep your feet on the footboards during operation; otherwise, they may contact the rear wheels. **WARNING! Removing even one hand or foot can reduce your ability to control the ATV or could cause you to lose your balance and fall off of the ATV. If you remove a foot from a footboard, your foot or leg may come into contact with the rear wheels, which could injure you or cause an accident.** [EWB01471]



Avoid wheelies and jumping. **WARNING! Attempting wheelies, jumps, and other stunts increases the chance of an accident, including**

an overturn. Never attempt stunts, such as wheelies or jumps. Don't try to show off.

[EWB01481]



7

### Modifications and accessories

Never modify this ATV through improper installation or use of accessories or other modification. All parts and accessories added to this ATV should be genuine Yamaha or equivalent components designed for use on this ATV and should be installed and used according to instructions. If you have questions, consult an authorized ATV dealer.

**WARNING! Operating this ATV with improper modifications may cause changes in handling which in some situations could lead to an accident.** [EWB01491]

### Exhaust system

EWB01501

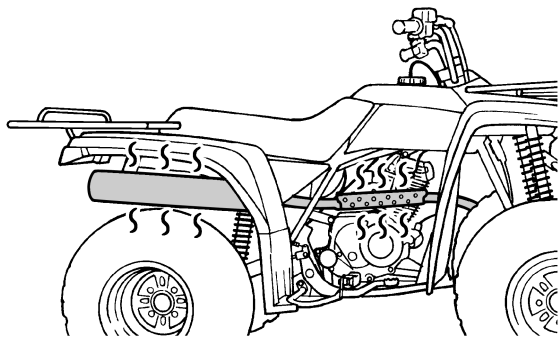
#### **! WARNING**

- Dry grass or brush or other combustible material accumulated around the engine area could catch fire. Do not operate, idle, or park the ATV in dry grass or other dry ground cover. Keep the engine area free of dry grass, brush, or other combustible material.
- Someone touching the exhaust system during or after operation could be burned. Do not touch the hot exhaust system. Do not park the ATV in a place where others might be likely to touch it.

The muffler and other engine parts become extremely hot during operation and remain hot after the engine has stopped. To reduce the risk of fire during operation or after leaving the ATV, do not let brush, grass and other materials collect under the vehicle, near the muffler or exhaust pipe, or next to other hot parts. Check under the vehicle after operating in areas where combustible materials may have collected. Do not idle or park the vehicle in long dry grass or other dry ground cover.

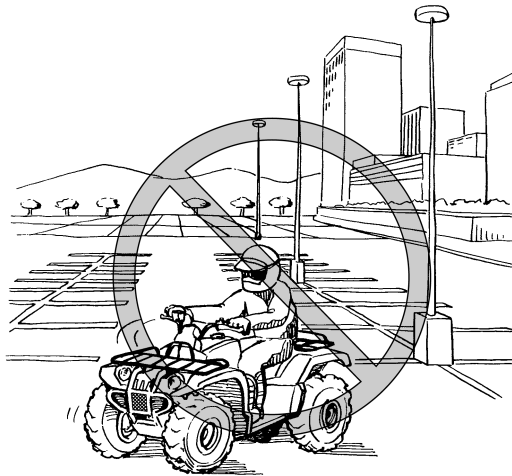


To prevent burns, avoid touching the exhaust system. Park the ATV in a place where pedestrians or children are not likely to touch it.



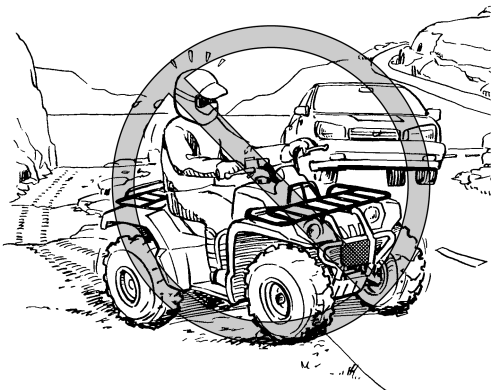
## BE CAREFUL WHERE YOU RIDE

This ATV is designed for use on unpaved surfaces only. **WARNING! Paved surfaces may seriously affect handling and control of the ATV, and may cause the ATV to go out of control. Always avoid paved surfaces, including sidewalks, driveways, parking lots and streets.** [EWB01511]



While riding on unpaved public streets or roads may be legal in your area, such operation can increase the risk of collision with other vehicles. Watch carefully for other vehicles. Make sure you

know your country's laws and regulations before you ride on unpaved public streets or roads. Do not ride on any paved public street, road or motorway. **WARNING! Never operate this ATV on any paved street, paved road or motorway. You can collide with another vehicle.** [EWB01521]



7

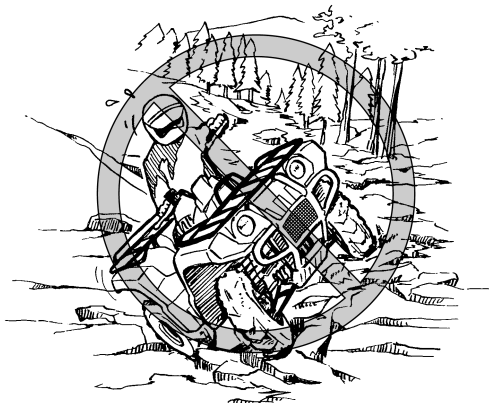
Know the terrain where you ride. Ride cautiously in unfamiliar areas. Stay alert for holes, rocks, or roots in the terrain, and other hidden hazards which may cause the ATV to upset. **WARNING! The ATV could go out of control if you do not have enough time to react to hidden rocks, bumps, or holes. Go slowly and be extra care-**

**ful when operating on unfamiliar terrain. Always be alert to changing terrain conditions when operating the ATV.** [EWB01531]

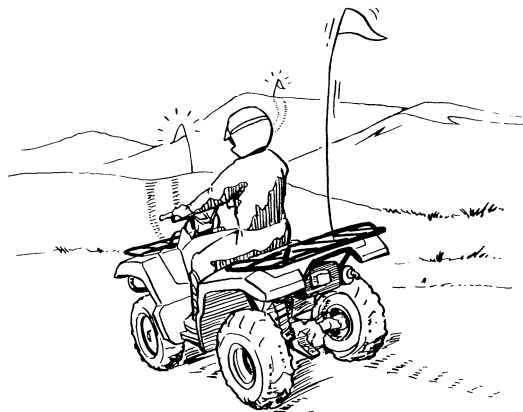


Do not operate on rough, slippery, or loose terrain until you have learned and practiced the skills necessary to control the ATV on such terrain. Always be especially cautious on these kinds of terrain. **WARNING! Failure to use extra care when operating on excessively rough, slippery, or**

loose terrain could cause loss of traction or ATV control, which could result in an accident, including an overturn. [EWB01541]

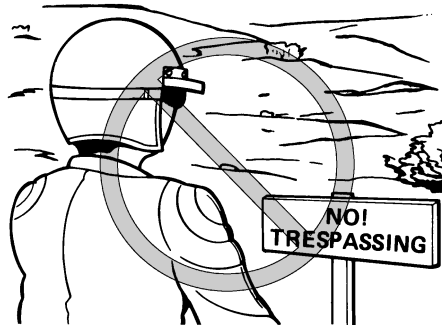


When riding in an area where you might not easily be seen, such as desert terrain, mount a caution flag on the ATV. **DO NOT** use the flag pole bracket as a trailer hitch. **WARNING! You could collide with another vehicle if operating in areas where you cannot easily be seen. Mount a caution flag on the ATV to make you more visible. Watch carefully for other vehicles.** [EWB01551]



Do not ride in areas posted “no trespassing”. Do not ride on private property without getting permission.

7



Select a large, flat, unpaved area to become familiar with your ATV. Make sure that this area is free of obstacles and other riders. You should practice control of the throttle, brakes, shifting procedures, and turning techniques in this area before trying more difficult terrain.

Set the parking brake and follow the instruction on page 6-1 to start the engine. Once it has warmed up you are ready to begin riding your ATV. As you get on the ATV, be sure not to accidentally move the shift pedal. With the engine idling, lift the shift pedal to the 1st gear position and then release the parking brake. Apply the throttle slowly and smoothly. The centrifugal clutch will engage and you will start to accelerate. Once the ATV has attained adequate speed, release the throttle and lift the shift pedal to the 2nd gear position. Release the shift pedal and apply the throttle smoothly. **WARNING! If the throttle is applied too abruptly or if the throttle is not released during shifting, or if the shift pedal is not released before applying the throttle, the front wheels may lift off the ground, resulting in a loss of directional control.** [EWB02631] **NOTICE: Do not shift gears without releasing the throttle. Damage to the engine or drive train may occur.** [ECB01071]

Use this same procedure as you move into the higher gears. Be sure to coordinate the use of the throttle and shift pedal properly.

Avoid higher speeds until you are thoroughly familiar with the operation of your ATV.

When slowing down or stopping, release the throttle and apply the brakes smoothly and evenly. As you slow down, shift to a lower gear. Be sure that the engine has sufficiently slowed before engaging a lower gear. Improper use of the brakes or shifting can cause the tires to lose traction, reducing control and increasing the possibility of an accident.

## TURNING YOUR ATV

EWB01771



---

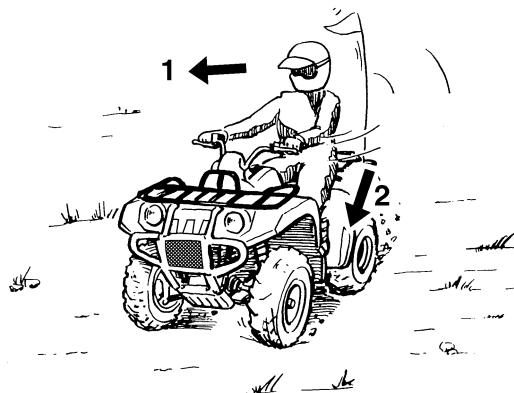
**Always follow proper procedures for turning as described in this Owner's Manual. Practice turning at low speeds before attempting to turn at faster speeds. Do not turn at speeds too fast for your skills or the conditions. ATV could go out of control, causing a collision or overturn.**

---

To achieve maximum traction on unpaved surfaces, the two rear wheels turn together at the same speed. Therefore, unless the wheel on the inside of the turn is allowed to slip or lose some traction,

the ATV will resist turning. A special turning technique must be used to allow the ATV to make turns quickly and easily. It is essential that this skill be learned first at low speed.

As you approach a curve, slow down and begin to turn the handlebars in the desired direction. As you do so, put your weight on the footboard to the outside of the turn (opposite your desired direction) and lean your upper body into the turn. Use the throttle to maintain an even speed through the turn. This maneuver will let the wheel on the inside of the turn slip slightly, allowing the ATV to make the turn properly.



1. Lean towards inside of turn.
2. Support your weight on the outer footboard.

This procedure should be practiced at slow speed many times in a large unpaved area with no obstacles. If an incorrect technique is used, your ATV may continue to go straight. If the ATV doesn't turn, come to a stop and then practice the procedure again. If the riding surface is slippery or loose, it may help to position more of your weight over the front wheels by moving forward on the seat.

Once you have learned this technique, you should be able to perform it at higher speeds or in tighter curves.

Improper riding procedures such as abrupt throttle changes, excessive braking, incorrect body movements, or too much speed for the sharpness of the turn may cause the ATV to tip. If the ATV begins to tip over to the outside while negotiating a turn, lean more to the inside. It may also be necessary to gradually let off on the throttle and steer to the outside of the turn to avoid tipping over.

Remember: Avoid higher speeds until you are thoroughly familiar with the operation of your ATV.

## CLIMBING UPHILL

EWB01591



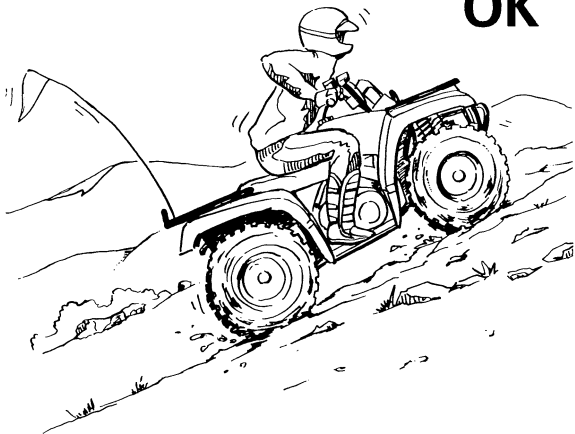
7

**Climbing hills improperly can cause overturns or loss of control. Use proper riding techniques described in this Owner's Manual.**

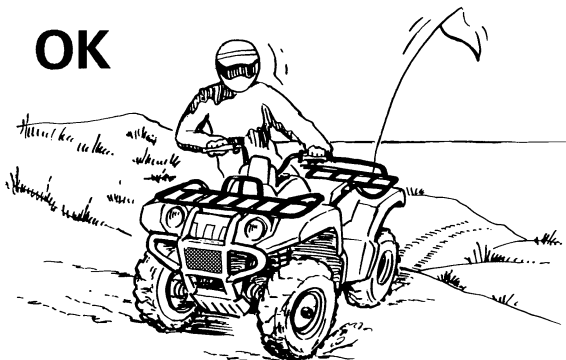
- **Never operate the ATV on hills too steep for the ATV or for your abilities. The ATV can overturn more easily on extremely steep hills than on level surfaces or small hills.**
- **Always check the terrain carefully before you start up any hill. Never climb hills with excessively slippery or loose surfaces.**
- **Shift your weight forward.**

- **Never open the throttle suddenly or make sudden gear changes. The ATV could flip over backwards.**
  - **Never go over the top of any hill at high speed. An obstacle, a sharp drop, or another vehicle or person could be on the other side of the hill.**
  - **Never attempt to turn the ATV around on any hill until you have mastered the turning technique as described in the Owner's Manual on level ground. Be very careful when turning on any hill.**
  - **Avoid crossing the side of a steep hill if possible. When crossing the side of a hill, shift your weight to the uphill side of the ATV.**
-

**OK**



**OK**



Do not attempt to climb hills until you have mastered basic maneuvers on flat ground. Always check the terrain carefully before attempting any hill. In all cases avoid inclines with slippery or loose surfaces, or obstacles that might cause you to lose control.

To climb a hill, you need traction, momentum, and steady throttle. Travel fast enough to maintain momentum, but not so fast that you cannot react to changes in the terrain as you climb.

It is important when climbing a hill to make sure that your weight is transferred forward on the ATV. This can be accomplished by leaning forward and, on steeper inclines, standing on the footboards and leaning forward over the handlebars. Whenever possible, ride straight up hills.

Slow down when you reach the crest of the hill if you cannot see clearly what is on the other side – there could be another person, an obstacle, or a sharp drop-off. Use common sense and remember that some hills are too steep for you to climb or descend.

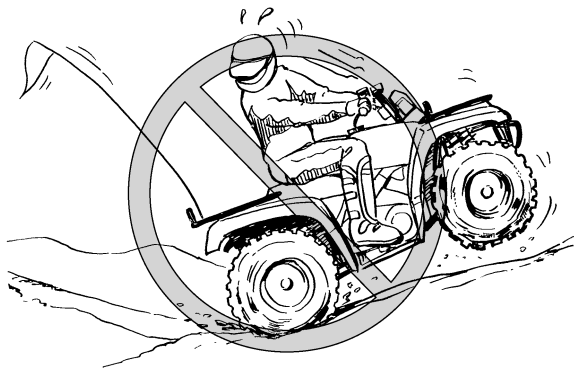
If you are climbing a hill and you find that you have not properly judged your ability to make it to the top, you should turn the ATV around while you still have forward motion (provided you have the room to do so) and go down the hill.

If your ATV has stalled or stopped and you believe you can continue up the hill, restart carefully to make sure you do not lift the front wheels which could cause you to lose control. If you are unable to continue up the hill, dismount the ATV on the uphill side. Physically turn the ATV around and then descend the hill.

If you start to roll backwards, DO NOT apply the rear brake, and apply the front brake gradually.

7

The ATV could easily tip over backwards. When fully stopped, apply the rear brake as well, and then lock the parking brake. Dismount the ATV immediately on the uphill side or to a side if pointed straight uphill. Turn the ATV around and remount, following the procedure described in the Owner's Manual. **WARNING! Stalling, rolling backwards or improperly dismounting while climbing a hill could result in ATV overturning. If you cannot control the ATV, dismount immediately on the uphill side.** [EWB01802]



## RIDING DOWNHILL

EWB01131



**Going down a hill improperly could cause overturns or loss of control. Always follow proper procedures for going down hills as described in this Owner's Manual.**

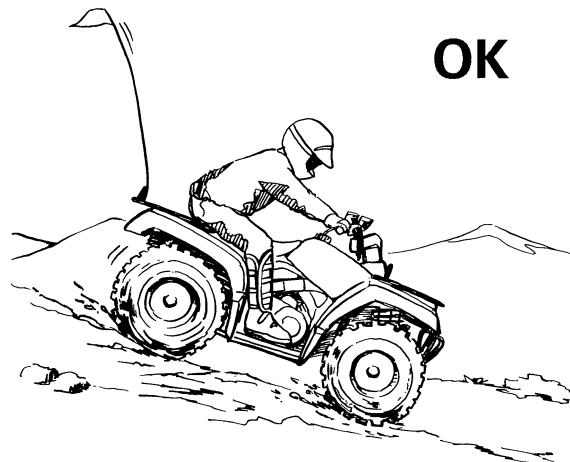
- **Always check the terrain carefully before you start down any hill.**
- **Never operate the ATV on hills too steep for the ATV or for your abilities. The ATV can overturn more easily on extremely steep hills than on level surfaces or small hills.**



- Shift your weight backward and to the up side of the hill.
- Never go down a hill at high speed.
- Avoid going down a hill at an angle that would cause the ATV to lean sharply to one side. Go straight down the hill where possible.
- Improper braking can cause the wheels on the uphill side to come off the ground or cause loss of traction. Gradually apply only the rear brake when going downhill.

When riding your ATV downhill, shift your weight as far to the rear and uphill side of the ATV as possible. Move back on the seat and sit with your arms straight. Choose a low gear which will allow the engine compression to do most of the braking for you. Use caution while descending a hill with loose or slippery surfaces. Braking ability and traction may be adversely affected by these surfaces. Improper braking may also cause a loss of traction. Gradually apply only the rear brake.

Whenever possible, ride your ATV straight downhill. Avoid sharp angles which could allow the ATV to tip or roll over. Carefully choose your path and ride no faster than you will be able to react to obstacles which may appear.



## CROSSING A SLOPE

EWB01632



Improperly crossing hills or turning on hills could cause loss of control or cause the ATV to overturn.

- Always follow proper procedures as described in the Owner's Manual.
- Avoid hills with excessively slippery or loose surfaces.
- Avoid crossing the side of a steep hill.

- **Shift your weight to the uphill side of the ATV.**
- **Never attempt to turn the ATV around on any hill until you have mastered the turning technique as described in the Owner's Manual on level ground. Be very careful when turning on any hill.**

---

Traversing a sloping surface on your ATV requires you to properly position your weight to maintain proper balance. Be sure that you have learned the basic riding skills on flat ground before attempting to cross a sloping surface. Avoid slopes with slippery surfaces or rough terrain that may upset your balance.

7

As you travel across a slope, lean your body in the uphill direction. It may be necessary to correct the steering when riding on loose surfaces by pointing the front wheels slightly uphill. When riding on slopes, be sure not to make sharp turns either up or down hill.

If your ATV does begin to tip over, gradually steer in the downhill direction if there are no obstacles in your path. As you regain proper balance, gradually steer again in the direction you wish to travel.

**OK**



## **CROSSING THROUGH SHALLOW WATER**

EWB01641

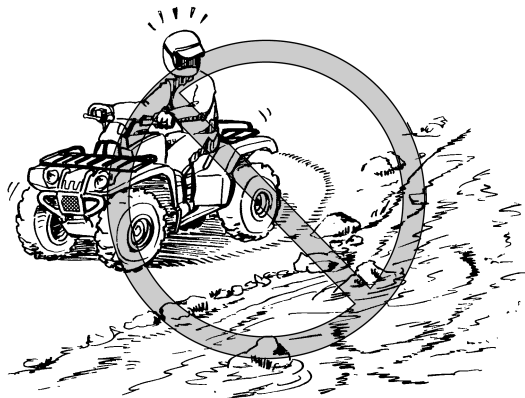


---

**Operating this vehicle through deep or fast-flowing water can lead to loss of control or an overturn. To reduce your risk of drowning or other injuries, use care when crossing through water. Never operate this ATV water deeper than the depth specified in your Owner's Manual, as tires may float, increasing the risk of an overturn.**

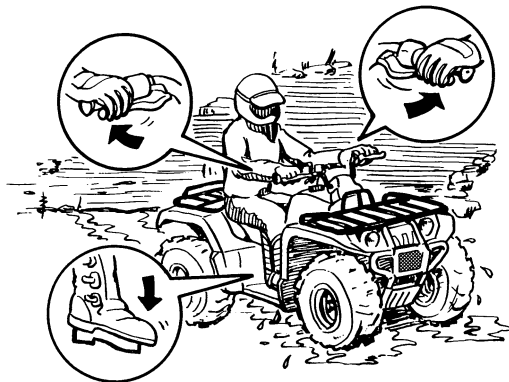
---

The ATV can be used to cross slow moving, shallow water of up to a maximum of 35 cm (14 in) in depth. Before entering the water, choose your path carefully. Enter where there is no sharp drop off, and avoid rocks or other obstacles which may be slippery or upset the ATV. Drive slowly and carefully.

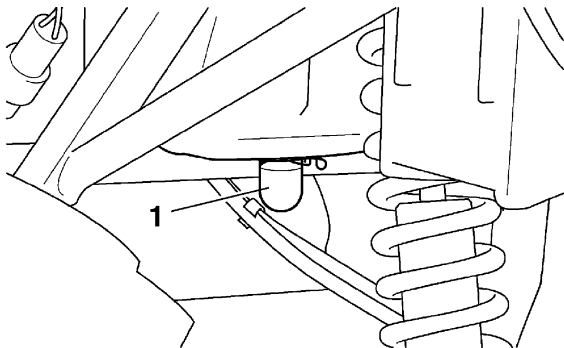


Test your brakes after leaving the water. If necessary, apply them several times to let friction dry out the linings. Do not continue to ride your ATV without verifying that you have regained proper braking

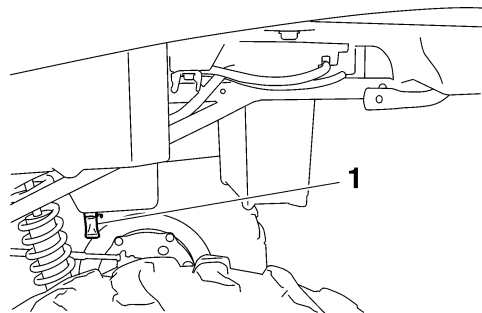
ability. **WARNING!** Wet brakes may have reduced stopping ability, which could cause loss of control. [EWB02621]



After riding your ATV in water, be sure to drain the trapped water by removing the check hose at the bottom of the air filter case, the drive select lever box check hose, and the storage compartment check hose. **NOTICE: Undrained water can cause damage or improper operation.** [ECB00841]  
Wash the ATV in fresh water if it has been operated in salt water or muddy conditions.

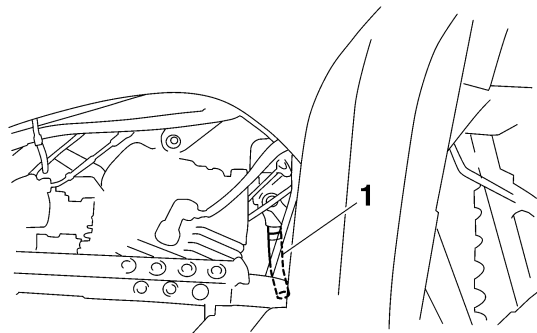


1. Air filter case check hose



1. Storage compartment check hose

7



1. Drive select lever box check hose

## RIDING OVER ROUGH TERRAIN

EWB01651

### **WARNING**

Riding improperly over obstacles could cause loss of control or a collision. Before operating in a new area, check for obstacles. Never attempt to ride over large obstacles, such as large rocks or fallen trees. When you go over obstacles, always follow proper procedures as described in the Owner's Manual.

Riding over rough terrain should be done with caution. Look out for obstacles which could cause damage to the ATV or could lead to an upset or ac-

cident. Be sure to keep your feet firmly mounted on the footboards at all times. Avoid jumping the ATV as loss of control and damage to the ATV may result.

## SLIDING AND SKIDDING

EWB01662

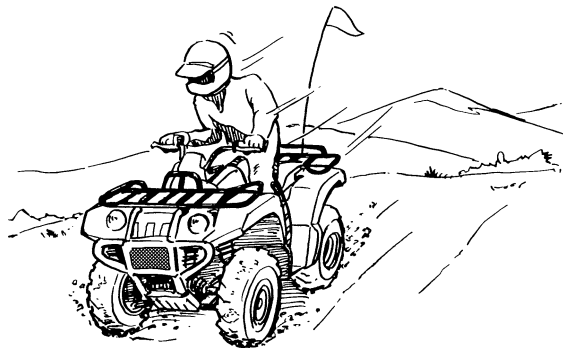
### **WARNING**

**Skidding or sliding improperly may cause you to lose control of this ATV. You may also regain traction unexpectedly, which may cause the ATV to overturn.**

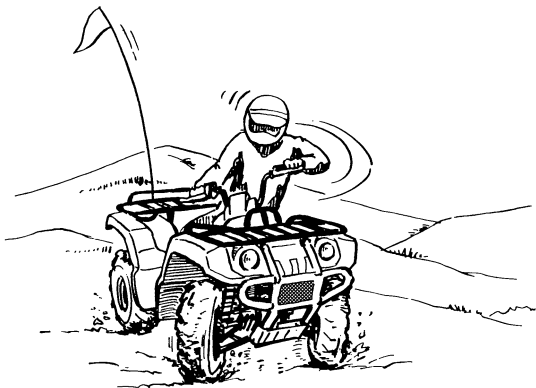
- **Learn to safely control skidding or sliding by practicing at low speeds and on level, smooth terrain.**
- **On extremely slippery surfaces, such as ice, go slowly and be very cautious in order to reduce the chance of skidding or sliding out of control.**

Care should be used when riding on loose or slippery surfaces since the ATV may slide. If unexpected and uncorrected, sliding could lead to an accident.

To reduce the tendency for the front wheels to slide in loose or slippery conditions, positioning your weight over the front wheels will sometimes help.



If the rear wheels of your ATV start to slide sideways, control can usually be regained (if there is room to do so) by steering in the direction of the slide. Applying the brakes or accelerating is not recommended until you have corrected the slide.



7

With practice, over a period of time, skill at controlled sliding can be developed. The terrain should be chosen carefully before attempting such maneuvers, since both stability and control are reduced. Bear in mind that sliding maneuvers should always be avoided on extremely slippery surfaces such as ice, since all control may be lost.

### **WHAT TO DO IF...**

This section is designed to be a reference guide only. Be sure to read each section on riding techniques completely.

### **WHAT TO DO...**

- If your ATV doesn't turn when you want it to: Bring the ATV to a stop and practice the turning maneuvers again. Be sure you are putting your weight on the footboard to the outside of the turn. Position your weight over the front wheels for better control. (See page 7-12.)
- If your ATV begins to tip while turning: Lean more into the turn to regain balance. If necessary, gradually let off the throttle and/or steer to the outside of the turn. (See page 7-12.)
- If your ATV starts to slide sideways: Steer in the direction of the slide if you have the room. Applying the brakes or accelerating is not recommended until you have corrected the slide. (See page 7-21.)
- If your ATV can't make it up a hill you are trying to climb: Turn the ATV around if you still have forward speed. If not, stop, dismount on the uphill side of the ATV and physically turn the ATV around. If the ATV starts to slip backwards, **DO NOT USE THE REAR BRAKE** – the ATV may tip over on top of you. Dismount the ATV on the uphill side. (See page 7-14.)

- If your ATV is traversing a sloping surface:  
Be sure to ride with your weight positioned towards the uphill side of the ATV to maintain proper balance. If the ATV starts to tip, steer down the hill (if there are no obstacles in your way) to regain balance. If you discover that the ATV is going to tip over, dismount on the uphill side. (See page 7-17.)
- If your ATV encounters shallow water:  
Ride slowly and carefully through slow moving water, watching for obstacles. Be sure to let water drain from the ATV and **CHECK YOUR BRAKES FOR PROPER OPERATION** when you come out of the water. Do not continue to ride your ATV until you have regained adequate braking ability. (See page 7-18.)

## PERIODIC MAINTENANCE AND ADJUSTMENT

Periodic inspection, adjustment, and lubrication will keep your vehicle in the safest and most efficient condition possible. Safety is an obligation of the vehicle owner/operator. The most important points of vehicle inspection, adjustment, and lubrication are explained on the following pages.

### WARNING

**Failure to properly maintain the vehicle or performing maintenance activities incorrectly may increase your risk of injury or death during service or while using the vehicle. If you are not familiar with vehicle service, have a Yamaha dealer perform the service.**

### WARNING

**Turn off the engine when performing maintenance unless otherwise specified.**

- **A running engine has moving parts that can catch on body parts or clothing and electrical parts that can cause shocks or fires.**

- **Running the engine while servicing can lead to eye injury, burns, fire, or carbon monoxide poisoning - possibly leading to death. See page 2-1 for more information about carbon monoxide.**

### WARNING

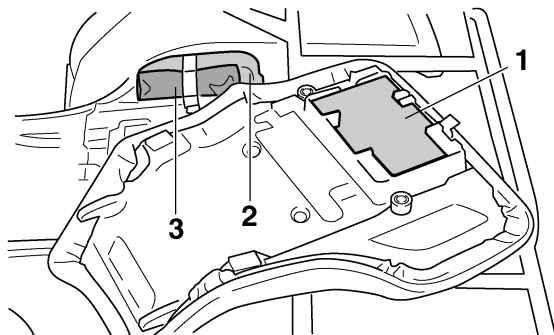
**Brake discs, calipers, drums, and linings can become very hot during use. To avoid possible burns, let brake components cool before touching them.**

The intervals given in the periodic maintenance charts should be considered as a general guide under normal riding conditions. However, DEPENDING ON THE WEATHER, TERRAIN, GEOGRAPHICAL LOCATION, AND INDIVIDUAL USE, THE MAINTENANCE INTERVALS MAY NEED TO BE SHORTENED.



## Owner's manual and tool kit

Be sure to put this owner's manual in the plastic bag and always carry it on the bottom of the seat as shown. Put the owner's tool kit and low-pressure tire gauge under the seat.



1. Owner's manual
2. Owner's tool kit
3. Low-pressure tire gauge

The service information included in this manual and the tools provided in the owner's tool kit are intended to assist you in the performance of preventive maintenance and minor repairs. However,

additional tools such as a torque wrench may be necessary to perform certain maintenance work correctly.

### TIP

If you do not have the tools or experience required for a particular job, have a Yamaha dealer perform it for you.

## Periodic maintenance chart for the emission control system

### TIP

- For ATVs not equipped with an odometer or an hour meter, follow the month maintenance intervals.
- For ATVs equipped with an odometer or an hour meter, follow the km (mi) or hours maintenance intervals. However, keep in mind that if the ATV isn't used for a long period of time, the month maintenance intervals should be followed.
- Items marked with an asterisk should be performed by a Yamaha dealer as they require special tools, data and technical skills.

NO.	ITEM	CHECK OR MAINTENANCE JOB	Whichever comes first ⇒	INITIAL			EVERY		
				month	1	3	6	6	12
				km (mi)	320 (200)	1300 (800)	2500 (1600)	2500 (1600)	5000 (3200)
hours	20	80	160	160	320				
1	* Fuel line	• Check fuel hoses for cracks or other damage, and replace if necessary.				√	√	√	
2	Spark plug	• Check condition and clean, regap, or replace if necessary.	√	√	√	√	√	√	
3	* Valves	• Check valve clearance and adjust if necessary.	√		√	√	√	√	
4	* Carburetor	• Check starter (choke) operation and correct if necessary. • Check engine idling speed and adjust if necessary.		√	√	√	√	√	
5	* Crankcase breather system	• Check breather hose for cracks or other damage, and replace if necessary.			√	√	√	√	

NO.	ITEM	CHECK OR MAINTENANCE JOB	Whichever comes first ⇒	INITIAL			EVERY		
				month	1	3	6	6	12
				km (mi)	320 (200)	1300 (800)	2500 (1600)	2500 (1600)	5000 (3200)
				hours	20	80	160	160	320
6	*	<b>Exhaust system</b>	<ul style="list-style-type: none"> <li>• Check for leakage and replace gasket(s) if necessary.</li> <li>• Check for looseness and tighten all screw clamps and joints if necessary.</li> </ul>			√	√	√	
7		<b>Spark arrester</b>	<ul style="list-style-type: none"> <li>• Clean.</li> </ul>			√	√	√	

## General maintenance and lubrication chart

### TIP

- For ATVs not equipped with an odometer or an hour meter, follow the month maintenance intervals.
- For ATVs equipped with an odometer or an hour meter, follow the km (mi) or hours maintenance intervals. However, keep in mind that if the ATV isn't used for a long period of time, the month maintenance intervals should be followed.
- Items marked with an asterisk should be performed by a Yamaha dealer as they require special tools, data and technical skills.

NO.	ITEM	CHECK OR MAINTENANCE JOB	Whichever comes first ⇒	INITIAL			EVERY		
				month	1	3	6	6	12
				km (mi)	320 (200)	1300 (800)	2500 (1600)	2500 (1600)	5000 (3200)
hours	20	80	160	160	320				
1	Air filter element	<ul style="list-style-type: none"> <li>• Clean and replace if necessary.</li> </ul>		Every 20–40 hours (more often in wet or dusty areas)					
2	* Clutch	<ul style="list-style-type: none"> <li>• Check operation and adjust if necessary.</li> </ul>		√		√	√	√	
3	* Front brake	<ul style="list-style-type: none"> <li>• Check operation and correct if necessary.</li> <li>• Check fluid level and ATV for fluid leakage, and correct if necessary.</li> </ul>		√	√	√	√	√	
		<ul style="list-style-type: none"> <li>• Replace brake pads.</li> </ul>		Whenever worn to the limit					
4	* Rear brake	<ul style="list-style-type: none"> <li>• Check operation and correct if necessary.</li> <li>• Check brake lever and pedal free play, and adjust if necessary.</li> </ul>		√	√	√	√	√	
		<ul style="list-style-type: none"> <li>• Replace brake shoes.</li> </ul>		Whenever worn to the limit					

NO.	ITEM	CHECK OR MAINTENANCE JOB	Whichever comes first ⇒	INITIAL			EVERY		
				month	1	3	6	6	12
				km (mi)	320 (200)	1300 (800)	2500 (1600)	2500 (1600)	5000 (3200)
hours	20	80	160	160	320				
5	*	<b>Brake hoses</b>	<ul style="list-style-type: none"> <li>• Check for cracks or other damage, and replace if necessary.</li> <li>• Replace.</li> </ul>		√	√	√	√	
				Every 4 years					
6	*	<b>Wheels</b>	<ul style="list-style-type: none"> <li>• Check runout and for damage, and replace if necessary.</li> </ul>	√		√	√	√	
7	*	<b>Tires</b>	<ul style="list-style-type: none"> <li>• Check tread depth and for damage, and replace if necessary.</li> <li>• Check air pressure and balance, and correct if necessary.</li> </ul>	√		√	√	√	
8	*	<b>Wheel hub bearings</b>	<ul style="list-style-type: none"> <li>• Check for looseness or damage, and replace if necessary.</li> </ul>	√		√	√	√	
9	*	<b>Swingarm pivots</b>	<ul style="list-style-type: none"> <li>• Check operation and for excessive play, and replace bearings if necessary.</li> <li>• Lubricate with lithium-soap-based grease.</li> </ul>			√	√	√	
10	*	<b>Chassis fasteners</b>	<ul style="list-style-type: none"> <li>• Make sure that all nuts, bolts, and screws are properly tightened.</li> </ul>	√	√	√	√	√	
11	*	<b>Shock absorber assemblies</b>	<ul style="list-style-type: none"> <li>• Check operation and correct if necessary.</li> <li>• Check for oil leakage and replace if necessary.</li> </ul>			√	√	√	
12	*	<b>Steering shaft</b>	<ul style="list-style-type: none"> <li>• Lubricate with lithium-soap-based grease.</li> </ul>			√	√	√	
13	*	<b>Steering system</b>	<ul style="list-style-type: none"> <li>• Check operation and repair or replace if damaged.</li> <li>• Check toe-in and adjust if necessary.</li> </ul>	√	√	√	√	√	

NO.	ITEM	CHECK OR MAINTENANCE JOB	Whichever comes first ⇒	INITIAL			EVERY		
				month	1	3	6	6	12
				km (mi)	320 (200)	1300 (800)	2500 (1600)	2500 (1600)	5000 (3200)
hours	20	80	160	160	320				
14	Engine oil	<ul style="list-style-type: none"> <li>Change.</li> <li>Check ATV for oil leakage, and correct if necessary.</li> </ul>		√		√	√	√	
15	Engine oil filter element	<ul style="list-style-type: none"> <li>Clean or replace if necessary.</li> </ul>		√		√		√	
16	Engine oil strainer	<ul style="list-style-type: none"> <li>Clean.</li> </ul>		√		√		√	
17	Final gear oil	<ul style="list-style-type: none"> <li>Change.</li> <li>Check ATV for oil leakage, and correct if necessary.</li> </ul>		√				√	
18	* Moving parts and cables	<ul style="list-style-type: none"> <li>Lubricate.</li> </ul>			√	√	√	√	
19	* Drive select lever safety system cable	<ul style="list-style-type: none"> <li>Check operation and adjust or replace if necessary.</li> </ul>				√	√	√	
20	* Throttle lever	<ul style="list-style-type: none"> <li>Check operation.</li> <li>Check throttle lever free play, and adjust if necessary.</li> <li>Lubricate cable and lever housing.</li> </ul>		√	√	√	√	√	
21	* Front and rear brake switches	<ul style="list-style-type: none"> <li>Check operation and correct if necessary.</li> </ul>		√	√	√	√	√	
22	* Lights and switches	<ul style="list-style-type: none"> <li>Check operation and correct if necessary.</li> <li>Adjust headlight beams.</li> </ul>		√	√	√	√	√	

NO.	ITEM	CHECK OR MAINTENANCE JOB	Whichever comes first ⇒	INITIAL			EVERY		
				month	1	3	6	6	12
				km (mi)	320 (200)	1300 (800)	2500 (1600)	2500 (1600)	5000 (3200)
				hours	20	80	160	160	320
23	*	Battery	<ul style="list-style-type: none"> <li>• Check electrolyte level and specific gravity, and correct if necessary.</li> <li>• Make sure that the breather hose is properly routed.</li> </ul>	√	√	√	√	√	

EBU28391

## TIP

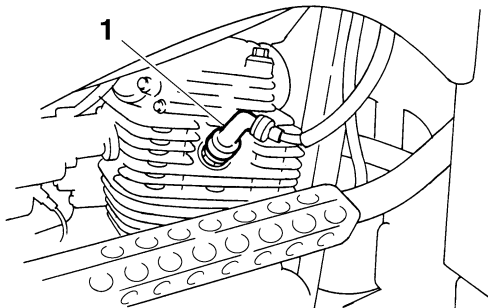
- Some maintenance items need more frequent service if you are riding in unusually wet, dusty, sandy or muddy areas, or at full-throttle.
- Hydraulic brake service
  - Regularly check and, if necessary, correct the brake fluid level.
  - Every two years replace the internal components of the brake master cylinder and calipers, and change the brake fluid.
  - Replace the brake hoses every four years and if cracked or damaged.

## Checking the spark plug

The spark plug is an important engine component, which is easy to check. Since heat and deposits will cause any spark plug to slowly erode, the spark plug should be removed and checked in accordance with the periodic maintenance and lubrication chart. In addition, the condition of the spark plug can reveal the condition of the engine.

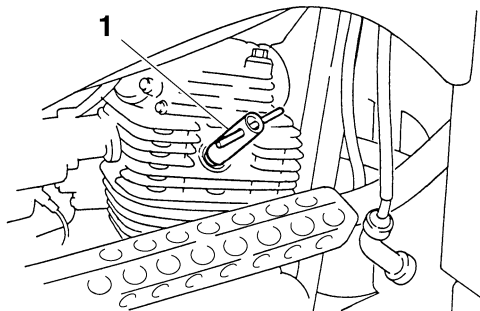
### To remove the spark plug

1. Remove the spark plug cap.



1. Spark plug cap

2. Remove the spark plug as shown, with the spark plug wrench included in the owner's tool kit.



1. Spark plug wrench

### To check the spark plug

1. Check that the porcelain insulator around the center electrode of the spark plug is a medium-to-light tan (the ideal color when the ATV is ridden normally).



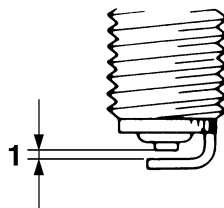
## TIP

If the spark plug shows a distinctly different color, the engine could be operating improperly. Do not attempt to diagnose such problems yourself. Instead, have a Yamaha dealer check the ATV.

2. Check the spark plug for electrode erosion and excessive carbon or other deposits, and replace it if necessary.

Specified spark plug:  
NGK/DR7EA

3. Measure the spark plug gap with a wire thickness gauge and, if necessary, adjust the gap to specification.



1. Spark plug gap

Spark plug gap:  
0.6–0.7 mm (0.024–0.028 in)

### To install the spark plug

1. Clean the surface of the spark plug gasket and its mating surface, and then wipe off any grime from the spark plug threads.
2. Install the spark plug with the spark plug wrench, and then tighten it to the specified torque.

Tightening torque:

Spark plug:

18 Nm (1.8 m·kgf, 13 ft·lbf)

### TIP

If a torque wrench is not available when installing the spark plug, a good estimate of the correct torque is 1/4–1/2 turn past finger tight. However, the spark plug should be tightened to the specified torque as soon as possible.

3. Install the spark plug cap.

EBU2329G

## Engine oil and oil filter element

8

The engine oil level should be checked before each ride. In addition, the oil must be changed and the oil filter element cleaned at the intervals specified in the periodic maintenance and lubrication chart.

### To check the engine oil level

1. Place the ATV on a level surface.
2. Check the engine oil level on a cold engine.

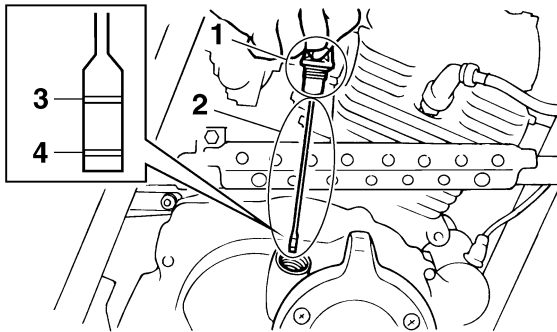
### TIP

If the engine was started before checking the oil level, be sure to warm up the engine sufficiently, and then wait at least ten minutes until the oil settles for an accurate reading.

3. Remove the engine oil filler cap, and then wipe the engine oil dipstick off with a clean rag.
4. Insert the dipstick into the filler hole (without screwing it in), and then remove it again to check the oil level.

### TIP

The engine oil should be between the minimum and maximum level marks.



1. Engine oil filler cap
2. Engine oil dipstick
3. Maximum level mark
4. Minimum level mark

5. If the engine oil is at or below the minimum level mark, add sufficient oil of the recommended type to raise it to the correct level.

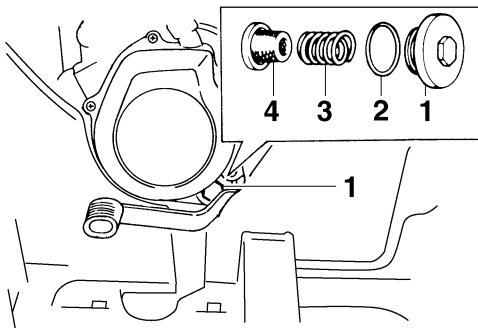
**NOTICE: Be sure the engine oil is at the correct level, otherwise engine damage may result.** [ECB00851]

6. Insert the dipstick into the oil filler hole, and then tighten the engine oil filler cap.

### To change the engine oil (with or without oil filter element cleaning)

1. Place the ATV on a level surface.
2. Start the engine, warm it up for several minutes, and then turn it off.
3. Place an oil pan under the engine to collect the used oil.
4. Remove the engine oil filler cap, and then remove the engine oil drain bolt to drain the oil from the crankcase. **NOTICE: When removing the engine oil drain bolt, the compression spring, oil strainer and O-ring will fall out. Take care not to lose these parts.**

[ECB00311]



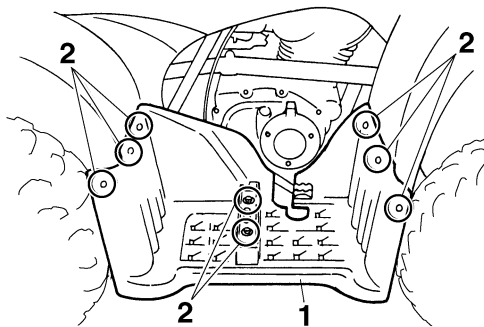
1. Engine oil drain bolt
2. O-ring
3. Compression spring
4. Oil strainer

8

**TIP**

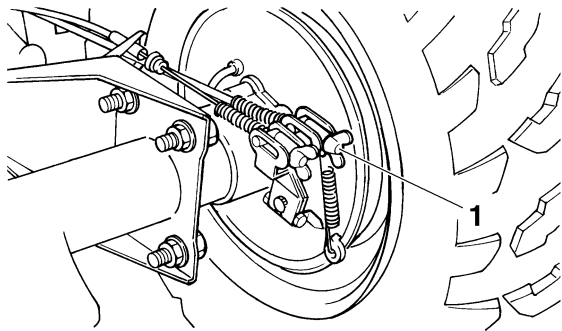
Skip steps 5–12, 18, and 19 if the oil filter element is not being cleaned.

5. Remove the footboard by removing the bolts.



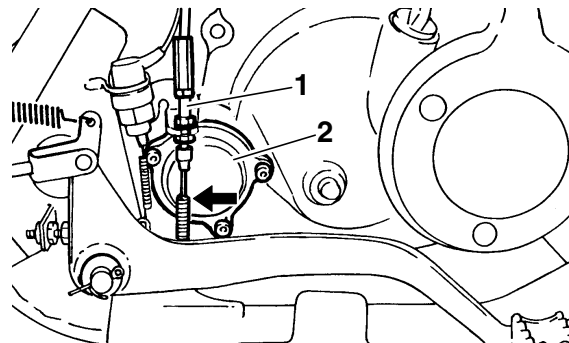
1. Footboard
2. Bolt

6. Fully loosen the brake pedal free play adjusting nut, and push the brake pedal downward.



1. Brake pedal free play adjusting nut

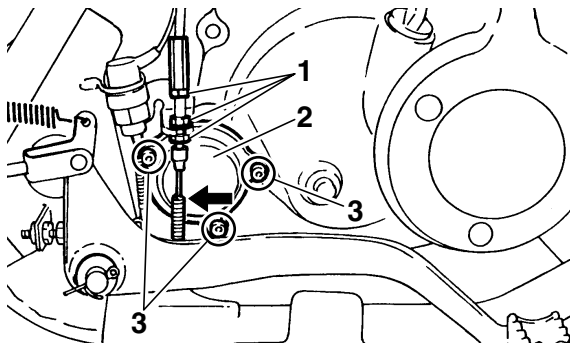
7. Move the drive select lever safety system cable away from the oil filter element cover.



1. Drive select lever safety system cable

2. Oil filter element cover

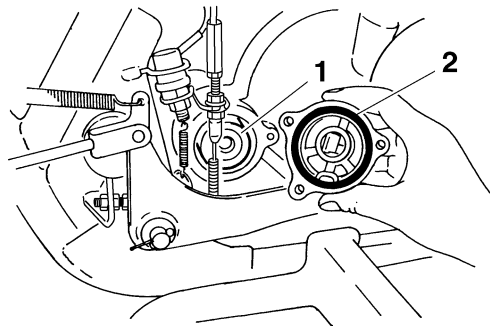
8. Remove the oil filter element cover by removing the bolts, and then remove the oil filter element and the O-ring. **NOTICE: Do not loosen the adjusting nuts shown when removing the oil filter element cover or oil filter element.** [ECB00341]



- 1. Adjusting nut
- 2. Oil filter element cover
- 3. Bolt

9. Clean the oil strainer and oil filter element with solvent.

8



- 1. Oil filter element
- 2. O-ring

10. Install the oil filter element and a new O-ring.

**TIP**

Make sure that the O-ring is properly seated.

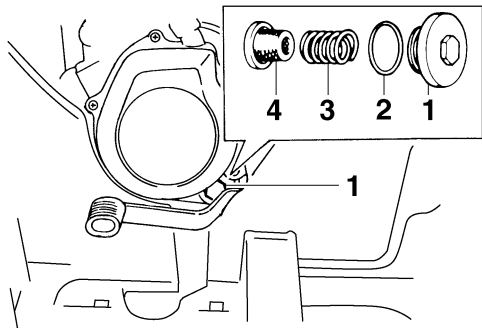
- 11. Apply a thin coat of clean engine oil to the O-ring.
- 12. Install the oil filter element cover by installing the bolts, and then tighten them to the specified torque.

Tightening torque:

Oil filter element cover bolt:

10 Nm (1.0 m·kgf, 7.2 ft·lbf)

13. Apply a thin coat of clean engine oil to a new O-ring.



1. Engine oil drain bolt  
2. O-ring  
3. Compression spring  
4. Oil strainer

14. Install the oil strainer, the compression spring, the new O-ring and the engine oil drain bolt, and then tighten the engine oil drain bolt to the specified torque. **NOTICE: Before installing the engine oil drain bolt, be sure to install the O-ring, compression spring and oil strainer.** [ECB00321]

Tightening torque:

Engine oil drain bolt:

43 Nm (4.3 m-kgf, 31 ft-lbf)

15. Refill with the specified amount of the recommended engine oil, and then install and tighten the engine oil filler cap.

Recommended oil:

See page 10-1.

Oil quantity:

Without oil filter element removal:

1.50 L (1.59 US qt, 1.32 Imp.qt)

With oil filter element removal:

1.60 L (1.69 US qt, 1.41 Imp.qt)

#### TIP

Be sure to wipe off spilled oil on any parts after the engine and exhaust system have cooled down.

ECB00300

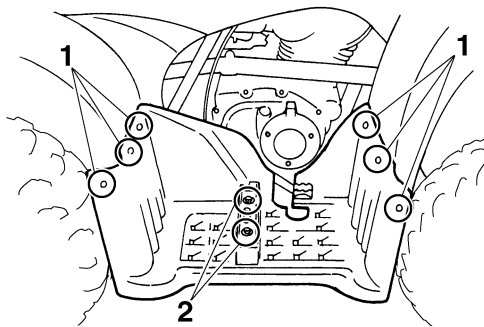
#### NOTICE

- In order to prevent clutch slippage (since the engine oil also lubricates the clutch), do not mix any chemical additives. Do not use oils with a diesel specification of “CD” or oils of

a higher quality than specified. In addition, do not use oils labeled “ENERGY CONSERVING II” or higher.

- Make sure that no foreign material enters the crankcase.

- 
16. Start the engine, and then let it idle for several minutes while checking it for oil leakage. If oil is leaking, immediately turn the engine off and check for the cause.
  17. Turn the engine off, wait at least ten minutes, and then check the oil level and correct it if necessary.
  18. Install the footboard by installing the bolts, and then tighten them to the specified torques.



1. Footboard bolt A
2. Footboard bolt B

Tightening torques:

Footboard bolt A:

4.0 Nm (0.40 m·kgf, 2.9 ft·lbf)

Footboard bolt B:

7 Nm (0.7 m·kgf, 5.1 ft·lbf)

19. Adjust the brake pedal free play. (See page 8-31.)

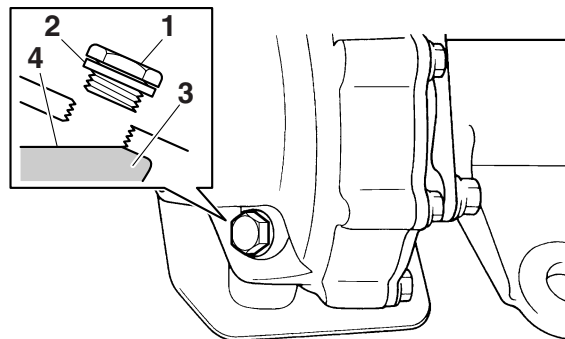


## Final gear oil

The final gear case must be checked for oil leakage before each ride. If any leakage is found, have a Yamaha dealer check and repair the ATV. In addition, the final gear oil level must be checked and the oil changed as follows at the intervals specified in the periodic maintenance and lubrication chart.

### To check the final gear oil level

1. Place the ATV on a level surface.
2. Remove the final gear oil filler bolt and its gasket, and then check the oil level in the final gear case. The oil level should be at the brim of the filler hole.



1. Final gear oil filler bolt
2. Gasket
3. Final gear oil
4. Correct oil level

3. If the oil is below the brim of the filler hole, add sufficient oil of the recommended type to raise it to the correct level.
4. Check the gasket for damage, and replace it if necessary.
5. Install the oil filler bolt and its gasket, and then tighten the bolt to the specified torque.

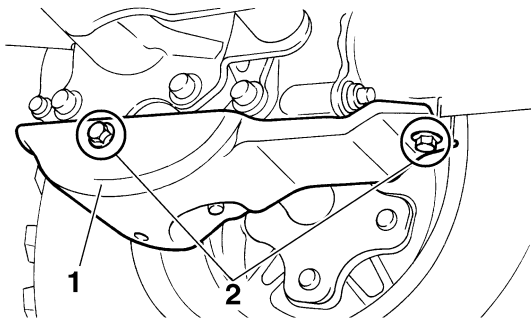
Tightening torque:

Final gear oil filler bolt:

23 Nm (2.3 m·kgf, 17 ft·lbf)

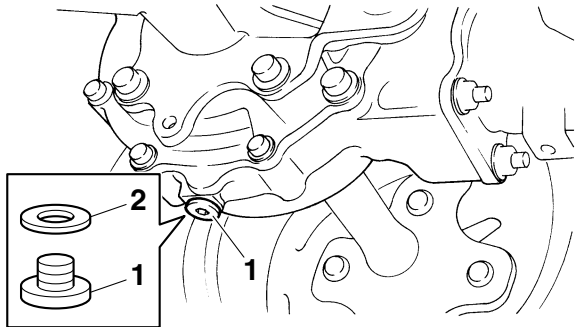
## To change the final gear oil

1. Place the ATV on a level surface.
2. Remove the final gear case guard by removing the bolts.



8

1. Final gear case guard
2. Bolt
3. Place an oil pan under the final gear case to collect the used oil.
4. Remove the final gear oil filler bolt, the final gear oil drain bolt, and their gasket to drain the oil from the final gear case.



1. Final gear oil drain bolt
2. Gasket

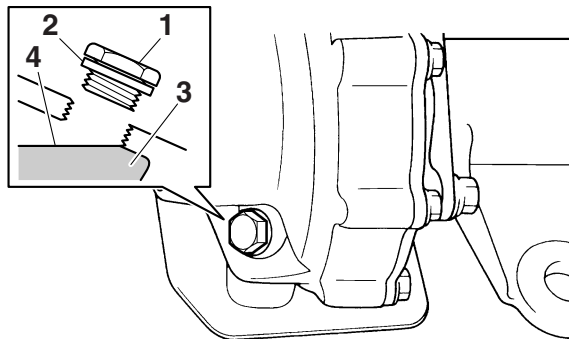
5. Install the drain bolt and its new gasket, and then tighten the bolt to the specified torque.

Tightening torque:

Final gear oil drain bolt:

23 Nm (2.3 m·kgf, 17 ft·lbf)

6. Refill with the recommended final gear oil to the brim of the filler hole as shown. **NOTICE:** Be sure no foreign material enters the final gear case. [ECB00421]



1. Final gear oil filler bolt
2. Gasket
3. Final gear oil
4. Correct oil level

Recommended final gear oil:  
See page 10-1.

7. Check the oil filler bolt gasket for damage, and replace it if necessary.
8. Install the oil filler bolt and its gasket, and then tighten the bolt to the specified torque.

Tightening torque:  
Final gear oil filler bolt:  
23 Nm (2.3 m·kgf, 17 ft·lbf)

9. Check the final gear case for oil leakage. If oil is leaking, check for the cause.
10. Install the final gear case guard by installing the bolts and tightening them to the specified torque.

Tightening torque:  
Final gear case guard bolt:  
17 Nm (1.7 m·kgf, 12 ft·lbf)

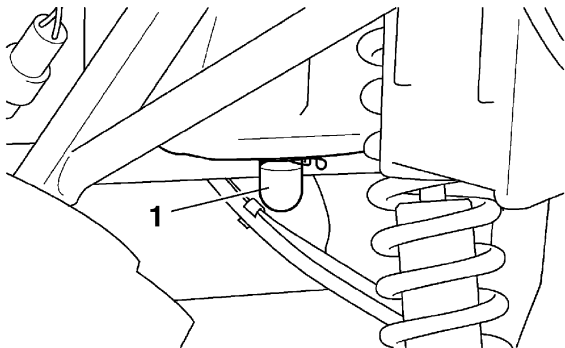
EBU23686

## Cleaning the air filter element

The air filter element should be cleaned at the intervals specified in the periodic maintenance and lubrication chart. Clean or, if necessary, replace the air filter element more frequently if you are riding in unusually wet or dusty areas.

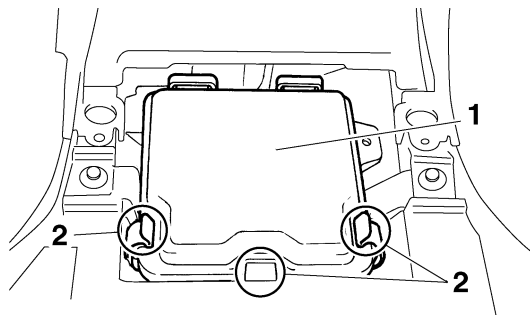
### TIP

There is a check hose at the bottom of the air filter case. If dust or water collects in this hose, empty the hose and clean the air filter element and air filter case.



1. Air filter case check hose

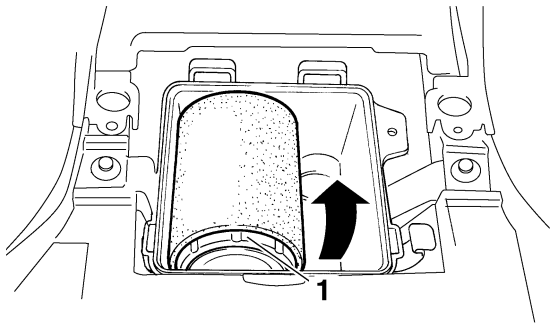
1. Place the ATV on a level surface.
2. Remove the seat. (See page 4-11.)
3. Remove the air filter case cover by unhooking the holders.



1. Air filter case cover

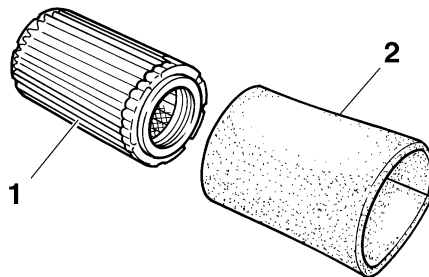
2. Air filter case cover holder

4. Pull the air filter element assembly out of the air filter case.



1. Air filter element assembly

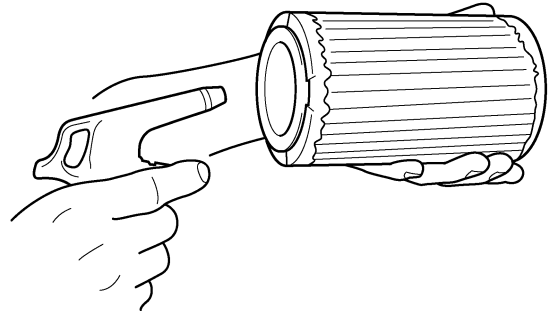
5. Remove the sponge material from the air filter element.



1. Air filter element

2. Sponge material

6. Clean the sponge material with water or solvent. **WARNING! When using solvent to clean the sponge material, always use parts cleaning solvent or water. Never use low-flash-point solvents or gasoline to clean the sponge material because the engine could catch fire or explode.** [EWB01951]
7. Squeeze the excess water or solvent out of the sponge material and let it dry. **NOTICE: Do not twist the sponge material when squeezing it. Do not apply oil to the sponge material.** [ECB00471]



8. Check the sponge material and replace it if damaged.
9. Tap the air filter element lightly to remove most of the dust and dirt. Blow out the remaining dirt with compressed air as shown. If the air filter element is damaged, replace it.

10. Pull the sponge material over the air filter element.
11. Insert the air filter element assembly into the air filter case, and then install the air filter case cover by hooking the holders. **NOTICE: Make sure that the air filter element is properly seated in the air filter case. Never operate the engine with the air filter element removed. This will allow unfiltered air to enter the engine, causing rapid engine wear and possible engine damage. Additionally, operation without the air filter element will affect carburetor jetting with subsequent poor performance and possible engine overheating.** [ECB00461]

12. Install the seat.

### TIP

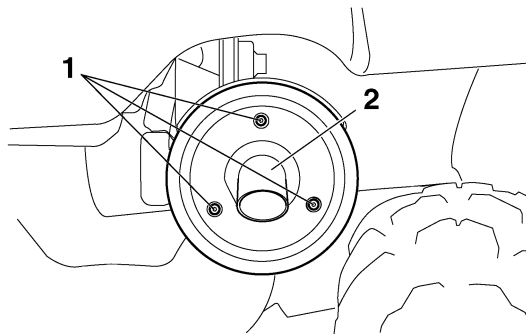
The air filter element should be cleaned every 20–40 hours. It should be cleaned more often if the ATV is operated in extremely dusty areas. Each time the air filter element maintenance is performed, check the air inlet of the air filter case for obstructions. Check the air filter case rubber joint to the carburetor fittings and the rubber joint manifold fittings for an air-tight seal. Tighten all fittings securely to avoid the possibility of unfiltered air entering the engine.

EBU27082

## Cleaning the spark arrester

Be sure the exhaust pipe and muffler are cool before cleaning the spark arrester.

1. Remove the tailpipe bolts.

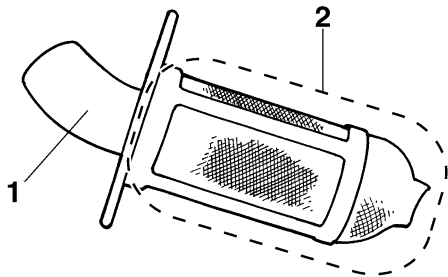


1. Tailpipe bolt

2. Tailpipe

2. Remove the tailpipe by pulling it out of the muffler.

3. Tap the tailpipe lightly, and then use a wire brush to remove any carbon deposits from the spark arrester portion of the tailpipe and inside of the tailpipe housing.



1. Tailpipe
  2. Spark arrester
4. Insert the tailpipe into the muffler and align the bolt holes.
  5. Install the tailpipe bolts and tighten them to the specified torque.

8

Tightening torque:

Tailpipe bolt:

10 Nm (1.0 m·kgf, 7.2 ft·lbf)

EWB02340

**! WARNING**

**Do not start the engine when cleaning the spark arrester, otherwise it could cause injury to the eyes, burns, carbon monoxide poisoning, possibly leading to death, and start a fire. Always let the exhaust system cool prior to touching exhaust components.**

EBU23940

## Adjusting the carburetor

The carburetor should be checked and, if necessary, adjusted at the intervals specified in the periodic maintenance and lubrication chart. The carburetor is an important part of the engine and requires very sophisticated adjustment. Therefore, most carburetor adjustments should be left to a Yamaha dealer, who has the necessary professional knowledge and experience. The adjustment described in the following section, however, may be performed by the owner as part of routine maintenance.



**NOTICE**

The carburetor has been set and extensively tested at the Yamaha factory. Changing these settings without sufficient technical knowledge may result in poor performance or damage to the engine.

EBU24000

**Adjusting the engine idling speed**

The engine idling speed must be checked and, if necessary, adjusted as follows at the intervals specified in the periodic maintenance and lubrication chart.

**TIP**

A diagnostic tachometer is needed to make this adjustment.

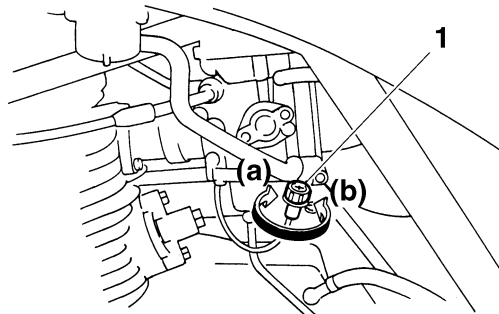
1. Start the engine and warm it up.

**TIP**

The engine is warm when it quickly responds to the throttle.

2. Attach the tachometer to the spark plug lead.

3. Check the engine idling speed and, if necessary, adjust it to specification by turning the throttle stop screw at the carburetor. To increase the engine idling speed, turn the throttle stop screw in direction (a), and to decrease it, turn the screw in direction (b).



1. Throttle stop screw

Engine idling speed:  
1400–1500 r/min

## TIP \_\_\_\_\_

If the specified idling speed cannot be obtained as described above, have a Yamaha dealer make the adjustment.

EBU24047

## Adjusting the throttle lever free play

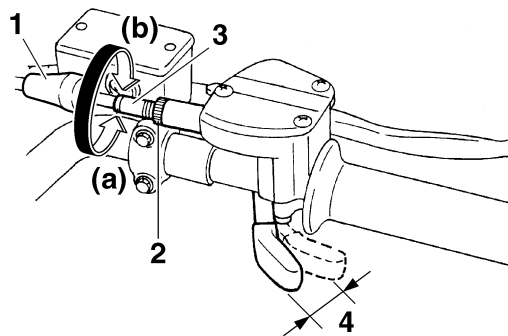
The throttle lever free play should be checked and, if necessary, adjusted at the intervals specified in the periodic maintenance and lubrication chart.

The throttle lever free play should measure 3.0–5.0 mm (0.12–0.20 in) as shown. Periodically check the throttle lever free play and, if necessary, adjust it as follows.

## 8 TIP \_\_\_\_\_

The engine idling speed must be checked, and adjusted if necessary, before adjusting the throttle lever free play.

1. Slide the rubber cover back.
2. Loosen the locknut.
3. To increase the throttle lever free play, turn the throttle lever free play adjusting bolt in direction (a). To decrease the throttle lever free play, turn the adjusting bolt in direction (b).



1. Rubber cover
  2. Locknut
  3. Throttle lever free play adjusting bolt
  4. Throttle lever free play
4. Tighten the locknut.
  5. Slide the rubber cover to its original position.

EBU24060

## Valve clearance

The valve clearance changes with use, resulting in improper air-fuel mixture and/or engine noise. To prevent this from occurring, the valve clearance must be adjusted by a Yamaha dealer at the intervals specified in the periodic maintenance and lubrication chart.

EBU24071

## Adjusting the drive select lever safety system cable

The drive select lever safety system cable stretches with use, which can result in improper function. Therefore, the safety system cable should be checked and adjusted by a Yamaha dealer at the intervals specified in the periodic maintenance and lubrication chart.

EBU29601

## Brakes

Replacement of brake components requires professional knowledge. Brake service should be performed by a Yamaha dealer.

EWB02571



**WARNING**

**Operating with improperly serviced or adjusted brakes could lead to a loss in braking ability and an accident.**

EBU24120

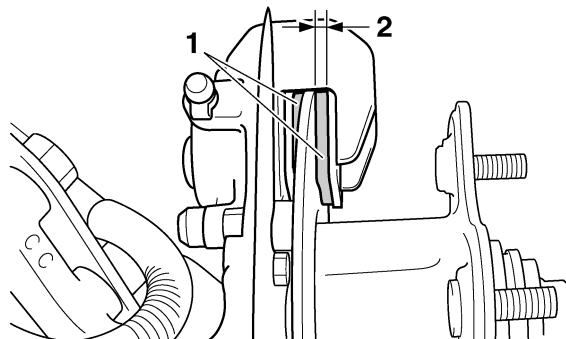
## Checking the front brake pads and rear brake shoes

The front brake pads and the rear brake shoes must be checked for wear at the intervals specified in the periodic maintenance and lubrication chart.

EBU24171

## Front brake pads

Check each front brake pad for damage and measure the lining thickness. If a brake pad is damaged or if the lining thickness is less than 1.0 mm (0.04 in), have a Yamaha dealer replace the brake pads as a set.



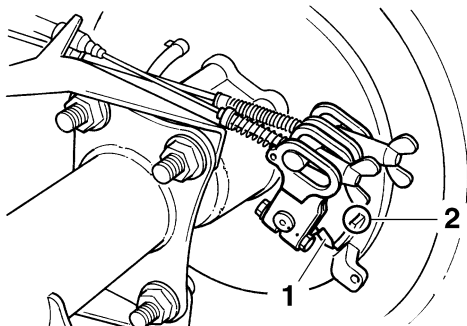
1. Brake pad
2. Lining thickness

## TIP

The wheels need to be removed to check the brake pads. (See page 8-46.)

## Rear brake shoes

The rear brake is provided with a wear indicator, which allows you to check the brake shoe wear without having to disassemble the brake. To check the brake shoe wear, check the position of the wear indicator while applying the brake. If a brake shoe has worn to the point that the wear indicator reaches the wear limit line or mark, have a Yamaha dealer replace the brake shoes as a set.



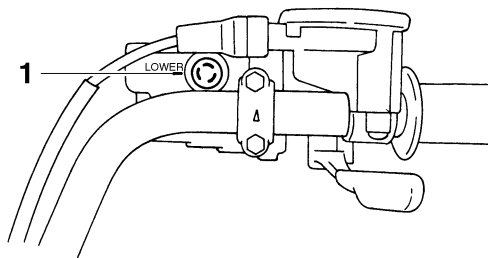
1. Wear indicator
2. Wear limit line

8

## Checking the brake fluid level

Insufficient brake fluid may allow air to enter the brake system, possibly causing it to become ineffective.

Before riding, check that the brake fluid is above the minimum level mark and replenish if necessary. A low brake fluid level may indicate worn brake pads and/or brake system leakage. If the brake fluid level is low, be sure to check the brake pads for wear and the brake system for leakage.



1. Minimum level mark

Observe these precautions:

- When checking the fluid level, make sure that the top of the brake fluid reservoir is level.

- Use only the recommended quality brake fluid, otherwise the rubber seals may deteriorate, causing leakage and poor braking performance.

Recommended brake fluid:  
DOT 4

- Refill with the same type of brake fluid. Mixing fluids may result in a harmful chemical reaction and lead to poor braking performance.
- Be careful that water does not enter the brake fluid reservoir when refilling. Water will significantly lower the boiling point of the fluid and may result in vapor lock.
- Brake fluid may deteriorate painted surfaces or plastic parts. Always clean up spilled fluid immediately.
- As the brake pads wear, it is normal for the brake fluid level to gradually go down. However, if the brake fluid level goes down suddenly, have a Yamaha dealer check the cause.

EBU24281

## Changing the brake fluid

Have a Yamaha dealer change the brake fluid at the intervals specified in the TIP after the periodic maintenance and lubrication chart. In addition,

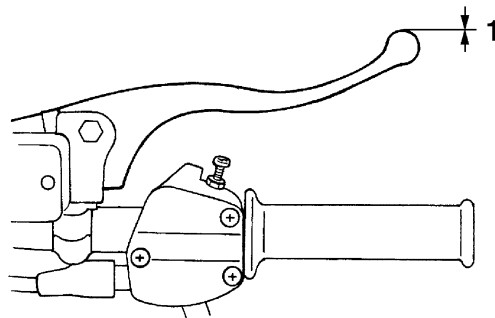
have the oil seals of the brake master cylinder and calipers as well as the brake hoses replaced at the intervals listed below or whenever they are damaged or leaking.

- Oil seals: Replace every two years.
- Brake hoses: Replace every four years.

EBU24394

## Checking the front brake lever free play

The brake lever free play must be checked at the intervals specified in the periodic maintenance and lubrication chart. The brake lever should have no free play as shown. If there is free play, have a Yamaha dealer check the brake system.



1. No brake lever free play

## Adjusting the brake pedal height and free play, and the rear brake lever free play

The brake pedal height and free play, and the brake lever free play must be checked and, if necessary, adjusted at the intervals specified in the periodic maintenance and lubrication chart.

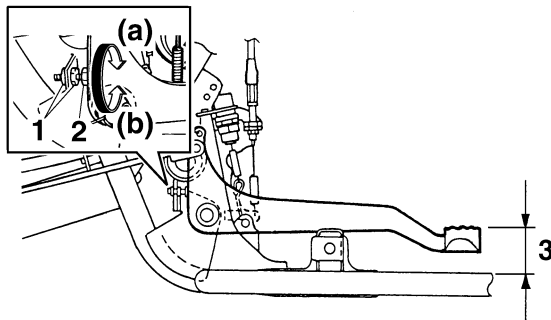
### TIP

- Always perform this maintenance completely in the following order whenever adjusting the rear brake.
- Before adjusting the brake pedal height and free play, and the brake lever free play, check the rear brake shoes for wear.

8

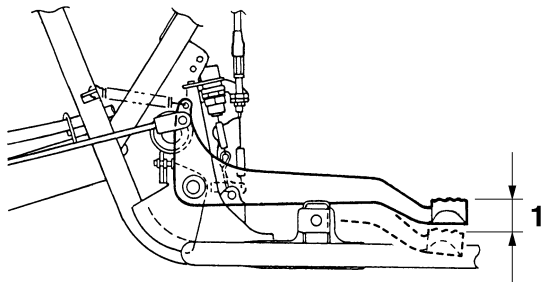
### 1. Adjusting the brake pedal height

The top of the brake pedal should be positioned 43.0–53.0 mm (1.69–2.09 in) above the top of the footboard bracket. If the height is incorrect, adjust it as follows.



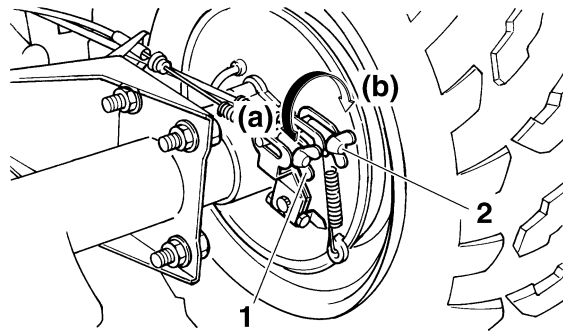
1. Locknut
  2. Brake pedal height adjusting bolt
  3. Brake pedal height
    - a. Remove the footboard. (See “Engine oil” on page 8-11 for removal and installation procedures.)
    - b. Loosen the locknuts at the brake pedal.
    - c. Turn the brake pedal height adjusting bolt at the brake pedal in direction (a) to raise the brake pedal, and in direction (b) to lower it.
    - d. Tighten the locknuts at the brake pedal.
- ### 2. Adjusting the brake pedal free play

The brake pedal free play should measure 20.0–30.0 mm (0.79–1.18 in) as shown. If the free play is incorrect, adjust it as follows.



1. Brake pedal free play

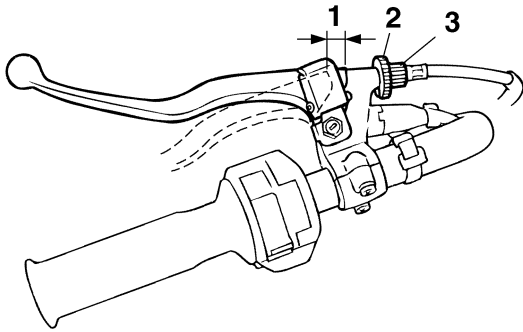
- a. Fully loosen the brake lever free play adjusting nut on the brake cable at the rear wheel hub.
- b. Turn the brake pedal free play adjusting nut on the brake rod at the rear wheel hub in direction (a) to increase the free play, and in direction (b) to decrease it.



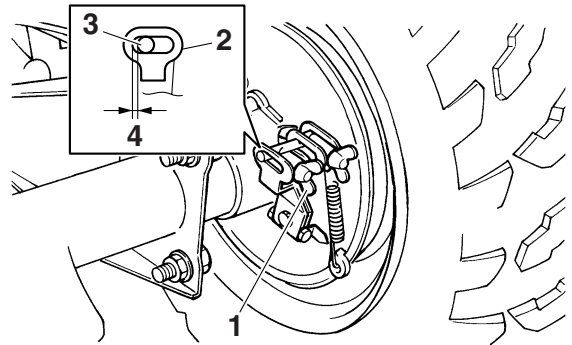
1. Brake lever free play adjusting nut
2. Brake pedal free play adjusting nut

3. **Adjusting the brake lever free play**

The brake lever free play should measure 5.0–7.0 mm (0.20–0.28 in) as shown. If the free play is incorrect, adjust it as follows.



1. Brake lever free play
2. Locknut
3. Brake lever free play adjusting bolt



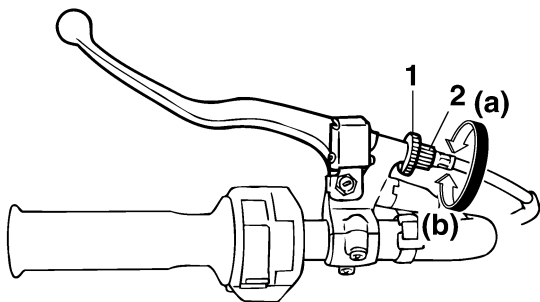
1. Brake lever free play adjusting nut
2. Brake camshaft lever
3. Pin
4. Gap "A"

8

- a. Loosen the locknut at the brake lever and fully turn in the brake lever free play adjusting bolt.
- b. Turn the brake lever free play adjusting nut on the brake cable at the rear wheel hub so that the distance between the brake camshaft lever and the pin, gap "A", measures 0–1 mm (0–0.04 in).

- c. Turn the brake lever free play adjusting bolt at the brake lever in direction (a) to increase the free play, and in direction (b) to decrease it.





1. Locknut
2. Brake lever free play adjusting bolt

- d. Tighten the locknut at the brake lever.
- e. Install the footboard.

### TIP

When adjusting the rear brake lever free play:

- Be sure not to step on the brake pedal.
- Make sure the brake pedal does not move.

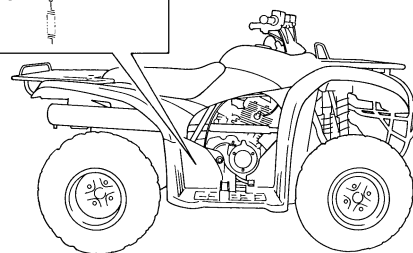
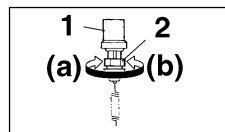
EBU24762

## Brake light switches

The brake light, which is activated by the brake pedal and brake levers, should come on just before braking takes effect.

The brake light switch for the brake pedal can be adjusted as follows, but the other brake light switches should be adjusted by a Yamaha dealer.

1. Remove the footboard. (See “Engine oil” on page 8-11 for removal and installation procedures.)
2. Turn the adjusting nut while holding the brake light switch in place. To make the brake light come on earlier, turn the adjusting nut in direction (a). To make the brake light come on later, turn the adjusting nut in direction (b).

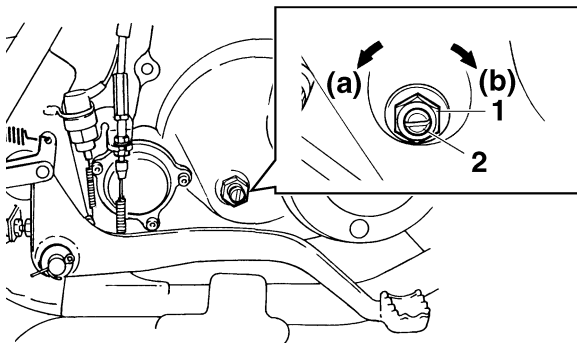


1. Rear brake light switch
2. Rear brake light switch adjusting nut
3. Install the footboard.

## Adjusting the clutch free play

The clutch free play must be adjusted periodically. Adjust the free play as follows.

1. Remove the footboard. (See “Engine oil” on page 8-11 for removal and installation procedures.)
2. Loosen the locknut.
3. Slowly turn the clutch adjusting screw in direction (a) until resistance is felt, and then turn it 1/8 turn in direction (b).



1. Locknut
2. Clutch adjusting screw

### TIP

Turning the clutch adjusting screw in direction (a) decreases clutch free play and turning it in direction (b) increases clutch free play.

4. Tighten the locknut to the specified torque.

Tightening torque:

Locknut:

15 Nm (1.5 m·kgf, 11 ft·lbf)

### TIP

When tightening the locknut, hold the clutch adjusting screw with a screwdriver so that it does not turn together with the locknut.

5. Install the footboard.

EBU24901

## Checking and lubricating the cables

The operation and the condition of all control cables should be checked before each ride, and the cables and cable ends should be lubricated if necessary. If a cable is damaged or does not move smoothly, have a Yamaha dealer check or replace it.

Recommended lubricant:  
Engine oil

EWB02581



- **Inspect cables frequently and replace if damaged. Corrosion can result when the cable sheaths become damaged, and cables can also become frayed or kinked, which could restrict the operation of controls and lead to an accident or injury.**
- **Always make sure all control cables work smoothly before you begin riding in cold weather. If the control cables are frozen or do not work smoothly, you could be unable to control the ATV, which could lead to an accident or collision.**

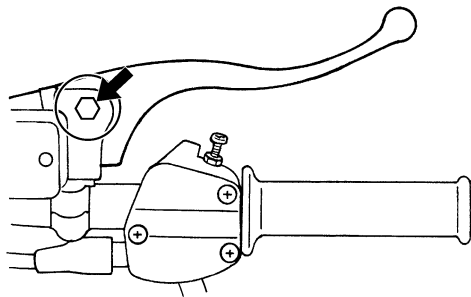
EBU28711

## Checking and lubricating the front and rear brake levers

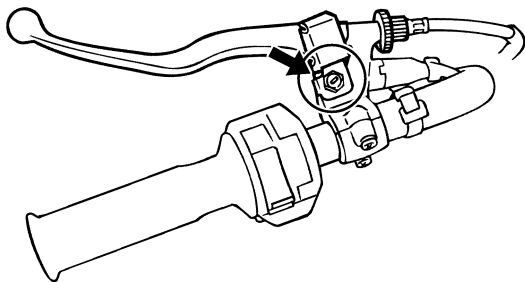
The operation of the front and rear brake levers should be checked before each ride, and the lever pivots should be lubricated if necessary.

Recommended lubricants:  
Front brake lever:  
Silicone grease  
Rear brake lever:  
Lithium-soap-based grease

### Front brake lever



## Rear brake lever



EBUM0170

### Checking the shift pedal

The operation of the shift pedal should be checked before each ride. If operation is not smooth, have a Yamaha dealer check the vehicle.

8

EBU30310

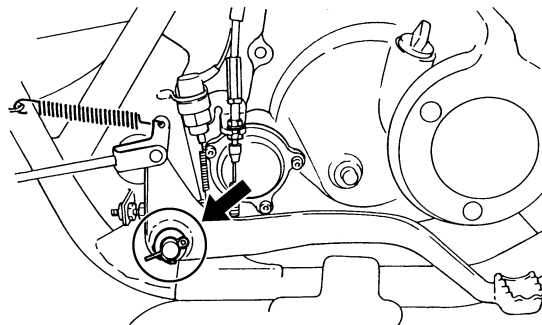
### Checking and lubricating the brake pedal

The operation of the brake pedal should be checked before each ride, and the pedal pivot should be lubricated if necessary.

## TIP

To access the brake pedal pivot, remove the footboard. (See “Engine oil” on page 8-11 for removal and installation procedures.)

Recommended lubricant:  
Lithium-soap-based grease

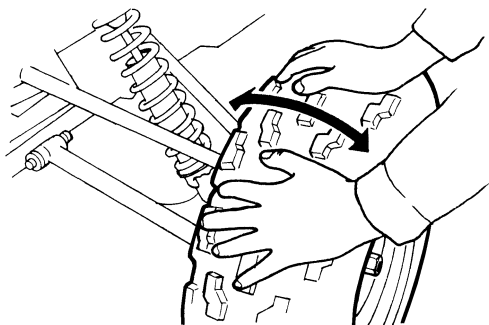


EBU24963

### Checking the wheel hub bearings

The front and rear wheel hub bearings must be checked at the intervals specified in the periodic maintenance and lubrication chart. If there is play

in a wheel hub or if a wheel does not turn smoothly, have a Yamaha dealer check the wheel hub bearings.



EBU24995

### Lubricating the swingarm pivots

The swingarm pivots must be lubricated by a Yamaha dealer at the intervals specified in the periodic maintenance and lubrication chart.

Recommended lubricant:  
Lithium-soap-based grease

EBU25092

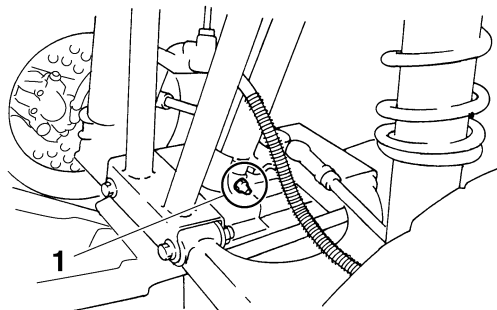
### Lubricating the steering shaft

The steering shaft must be lubricated by a Yamaha dealer at the intervals specified in the periodic maintenance and lubrication chart.

#### TIP

For parts equipped with a grease nipple, use a grease gun.

Recommended lubricant:  
Lithium-soap-based grease



1. Grease nipple

## Battery

The battery is located behind the seat.

A poorly maintained battery will corrode and discharge quickly. The electrolyte level, battery lead connections and breather hose routing should be checked before each ride and at the intervals specified in the periodic maintenance and lubrication chart.

EWB02160

### WARNING

**Battery electrolyte is poisonous and dangerous, as it contains sulfuric acid, which can cause severe burns. Avoid contact with skin, eyes or clothing. Always shield your eyes when working near batteries.**

8

**Antidote:**

**EXTERNAL:** Flush with water.

**INTERNAL:** Drink large quantities of water or milk. Follow with milk of magnesia, beaten egg or vegetable oil. Call a physician immediately.

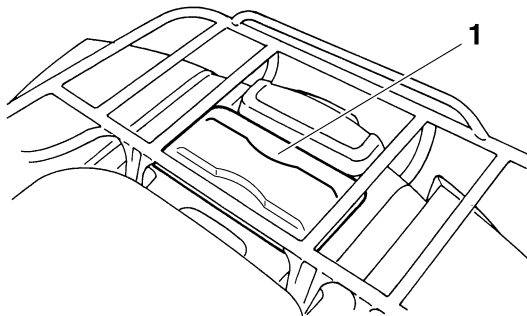
**EYES:** Flush with water for 15 minutes and get prompt medical attention.

**Batteries produce explosive gases. Keep sparks, flame, cigarettes or other sources of ignition away. Ventilate when charging or using in an enclosed space.**

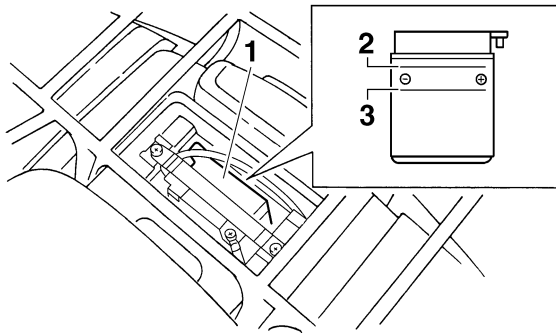
## KEEP OUT OF REACH OF CHILDREN.

### To check the electrolyte level

1. Place the ATV on a level surface.
2. Remove the battery cover by pulling it upward.



1. Battery cover
3. Check the electrolyte level in the battery.



1. Battery
2. Maximum level mark
3. Minimum level mark

### TIP

The electrolyte should be between the minimum and maximum level marks.

4. If the electrolyte is at or below the minimum level mark, add distilled water to raise it to the maximum level mark. **NOTICE: Use only distilled water, as tap water contains minerals that are harmful to the battery.** [ECB00591]

5. Check and, if necessary, tighten the battery lead connections and correct the breather hose routing as explained in step 5 of “To install the battery”.
6. Install the battery cover.

### To remove the battery

1. Remove the battery cover by pulling it upward.
2. Disconnect the negative battery lead.  
**NOTICE: When removing the battery, the main switch must be off, and the negative lead must be disconnected before the positive lead.** [ECB01001]
3. Remove the battery holding plate by removing the bolts.
4. Disconnect the positive battery lead.

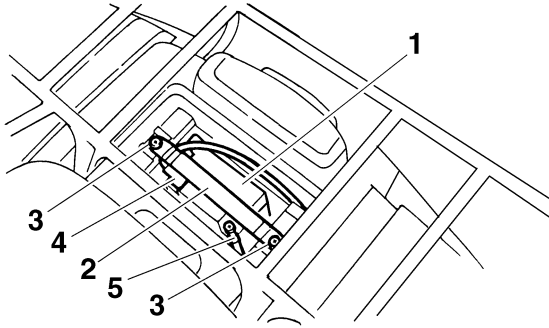
**NOTICE**

- Always keep the battery charged. Storing a discharged battery can cause permanent battery damage.
- Do not leave or store the battery on its side.

**To install the battery****TIP**

Be sure the battery is fully charged.

1. Install the battery.
2. Connect the positive battery lead. **NOTICE:** When installing the battery, the main switch must be off, and the positive lead must be connected before the negative lead. [ECB01110]
3. Install the holding plate by installing the bolts.
4. Connect the negative battery lead.
5. Make sure that the breather hose is properly routed, in good condition, and not obstructed. The breather hose end should measure 50.0–60.0 mm (1.97–2.36 in) past the bottom hose clamp. **NOTICE:** If the breather hose is positioned in such a way that the frame is ex-



1. Battery
2. Battery holding plate
3. Bolt
4. Positive battery lead (red)
5. Negative battery lead (black)

8

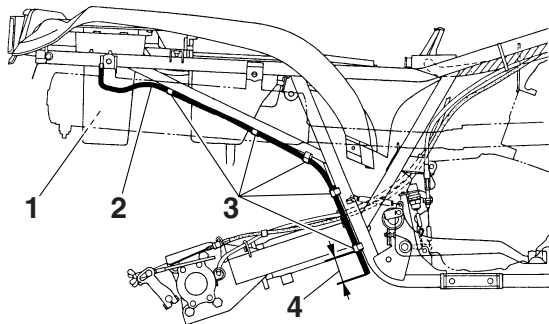
## 5. Remove the battery.

**To store the battery**

- If the ATV will not be used for more than one month, remove the battery, fully charge it, and then place it in a cool, dry place.
- If the battery will be stored for more than two months, check the specific gravity of the electrolyte at least once a month and fully charge the battery whenever necessary.



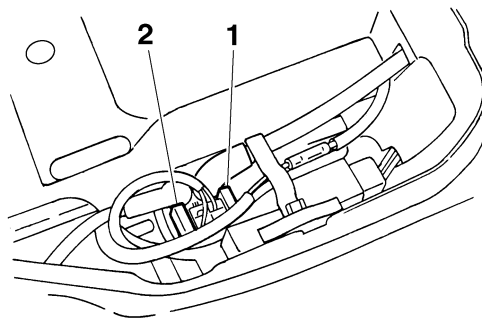
posed to electrolyte or gas expelled from the battery, the frame could suffer structural and external damages. [ECB00611]



1. Battery
2. Battery breather hose
3. Hose clamp
4. Breather hose end
  
6. Install the battery cover.

EBU25243

## Replacing the fuse



1. Fuse
2. Spare fuse

The fuse holder is located under the seat. (See page 4-11.)

If the fuse is blown, replace it as follows.

1. Turn the key to "OFF" and turn off all electrical circuits.

ECB00640

### **NOTICE**

**To prevent accidental short-circuiting, turn off the main switch when checking or replacing a fuse.**

2. Remove the blown fuse, and then install a new fuse of the specified amperage. **WARNING! Always use a fuse of the specified rating, and never use a substitute object in place of the proper fuse. An improper fuse or a substitute object can cause damage to the electrical system, which could lead to a fire.** [EWB02172]

Specified fuse:  
20.0 A

3. Turn the key to "ON" and turn on the electrical circuits to check if the devices operate.
4. If the fuse immediately blows again, have a Yamaha dealer check the electrical system.

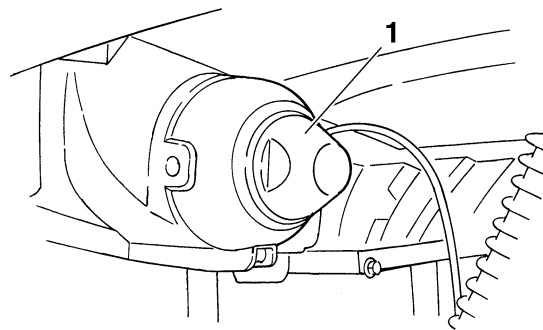
8

EBU25481

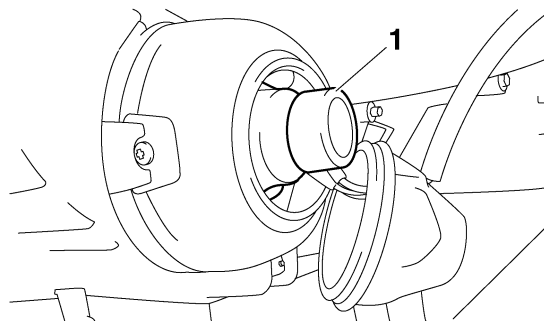
## Replacing a headlight bulb

If a headlight bulb burns out, replace it as follows.

1. Remove the cover at the rear of the headlight by pulling it off.

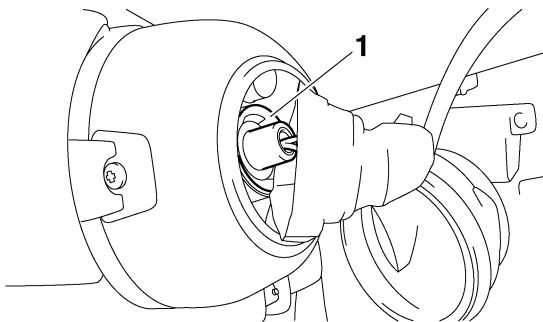


1. Cover at the rear of the headlight
2. Remove the headlight bulb holder cover by pulling it off.



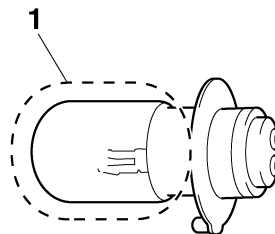
1. Headlight bulb holder cover

3. Remove the headlight bulb holder by pushing it in and turning it counterclockwise.



1. Headlight bulb holder

4. Remove the burnt-out bulb by pulling it out.
5. Insert a new headlight bulb into the bulb holder by pushing it in. **NOTICE: Do not touch the glass part of the headlight bulb to keep it free from oil, otherwise the transparency of the glass, the luminosity of the bulb, and the bulb life will be adversely affected. Thoroughly clean off any dirt and fingerprints on the headlight bulb using a cloth moistened with alcohol or thinner.** [ECB00651]



1. Do not touch the glass part of the bulb.
6. Install the bulb holder by pushing it in and turning it clockwise.
7. Install the bulb holder cover and the cover at the rear of the headlight. **NOTICE: Make sure the headlight bulb holder cover is securely fitted over the bulb holder and seated properly.** [ECB00671]
8. Adjust the headlight beam if necessary.

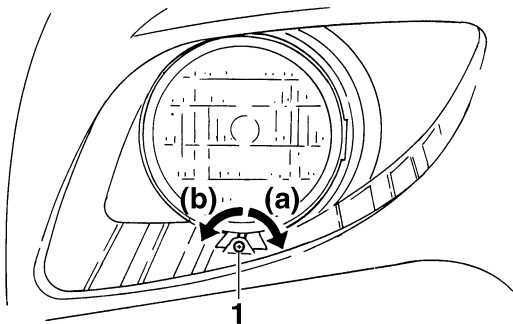
## Adjusting a headlight beam

### NOTICE

It is advisable to have a Yamaha dealer make this adjustment.

To raise a headlight beam, turn the headlight beam adjusting screw in direction (a).

To lower a headlight beam, turn the adjusting screw in direction (b).

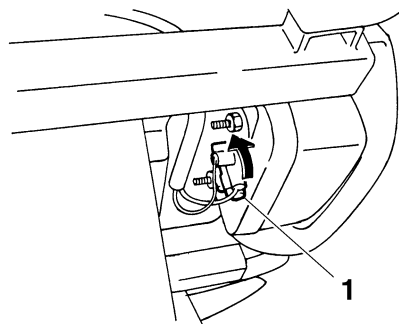


1. Headlight beam adjusting screw

## Replacing the tail/brake light bulb

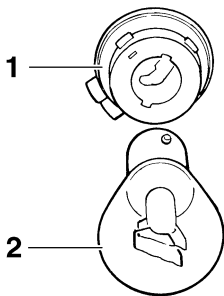
If the tail/brake light bulb burns out, replace it as follows.

1. Remove the bulb holder (together with the bulb) by turning it counterclockwise.



1. Tail/brake light bulb holder

2. Remove the burnt-out bulb by pushing it in and turning it counterclockwise.

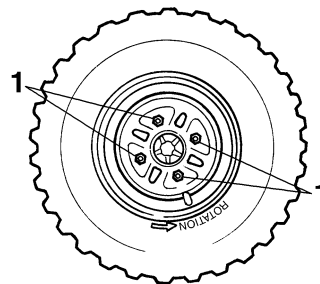


1. Tail/brake light bulb holder
2. Tail/brake light bulb
3. Insert a new bulb into the bulb holder, push it in, and then turn it clockwise until it stops.
4. Install the bulb holder (together with the bulb) by turning it clockwise.

EBU25651

## Removing a wheel

1. Place the ATV on a level surface.
2. Loosen the wheel nuts.



1. Wheel nut
3. Elevate the ATV and place a suitable stand under the frame.
4. Remove the nuts from the wheel.
5. Remove the wheel.

EBU25701

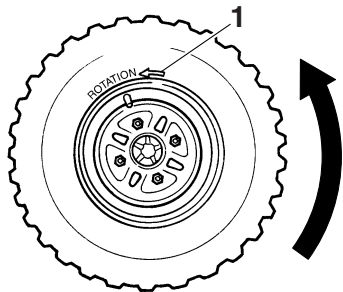
## Installing a wheel

1. Place the ATV on a level surface.
2. Install the wheel and the nuts.

### TIP

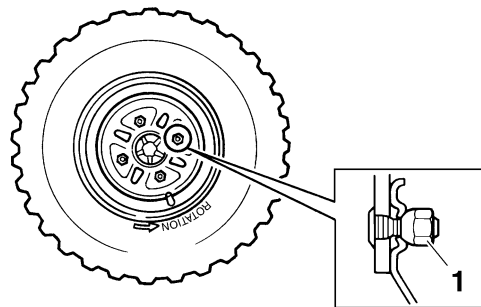
- The arrow mark ⇨ on the tire must point toward the rotating direction of the wheel.

- Tapered nuts are used for both the front and rear wheels. Install the nuts with their tapered side towards the wheel.



8

1. Arrow mark



1. Tapered nut
3. Lower the ATV to the ground.
4. Tighten the wheel nuts to the specified torques.

Tightening torques:

Front wheel nut:

55 Nm (5.5 m·kgf, 40 ft·lbf)

Rear wheel nut:

55 Nm (5.5 m·kgf, 40 ft·lbf)

## Troubleshooting

Although Yamaha ATVs receive a thorough inspection before shipment from the factory, trouble may occur during operation. Any problem in the fuel, compression, or ignition systems, for example, can cause poor starting and loss of power.

The following troubleshooting chart represents a quick and easy procedure for checking these vital systems yourself. However, should your ATV require any repair, take it to a Yamaha dealer, whose skilled technicians have the necessary tools, experience, and know-how to service the ATV properly. Use only genuine Yamaha replacement parts. Imitation parts may look like Yamaha parts, but they are often inferior, have a shorter service life and can lead to expensive repair bills.

EWB02280



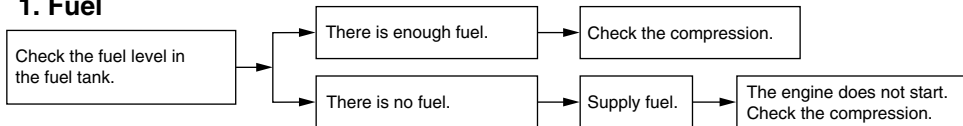
---

**Do not smoke when checking the fuel system. Fuel can ignite or explode, causing severe injury or property damage. Make sure there are no open flames or sparks in the area, including pilot lights from water heaters or furnaces.**

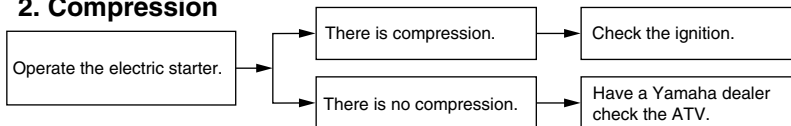
---

# Troubleshooting chart

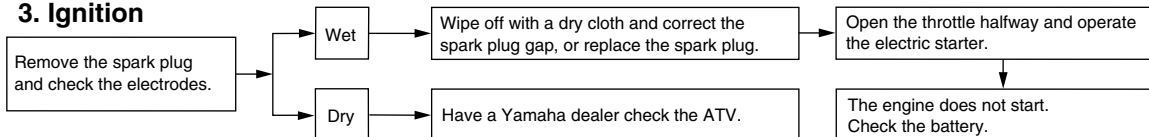
## 1. Fuel



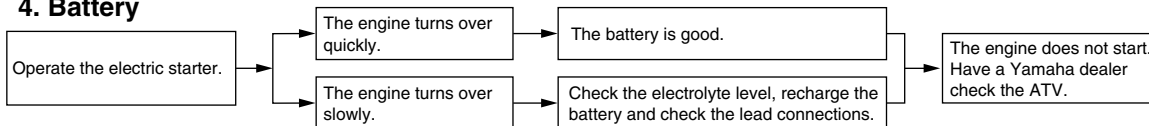
## 2. Compression



## 3. Ignition



## 4. Battery





## CLEANING AND STORAGE

EBU25881

### Cleaning

Frequent, thorough cleaning of your ATV will not only enhance its appearance but will improve its general performance and extend the useful life of many components.

1. Before cleaning the ATV:
  - a. Block off the end of the exhaust pipe to prevent water entry. A plastic bag and strong rubber band may be used.
  - b. Make sure the spark plug and all filler caps are properly installed.
2. If the engine case is excessively greasy, apply degreaser with a paint brush. Do not apply degreaser to the wheel axles.
3. Rinse the dirt and degreaser off with a garden hose. Use only enough pressure to do the job.  
**WARNING! Wet brakes may have reduced stopping ability, increasing the chance of an accident. Test the brakes after washing. Apply the brakes several times at slow speeds to let friction dry out the linings.**

[EWB02311] **NOTICE: Excessive water pressure may cause water seepage and deteriora-**

**tion of wheel bearings, brakes, transmission seals and electrical devices. Many expensive repair bills have resulted from improper high-pressure detergent applications such as those available in coin-operated car washers.** [ECB00711]

4. Once most of the dirt has been hosed off, wash all surfaces with warm water and mild, detergent-type soap. An old toothbrush or bottle brush is handy for hard-to-reach places.
5. Rinse the ATV off immediately with clean water and dry all surfaces with a chamois, clean towel or soft absorbing cloth.
6. Clean the seat with a vinyl upholstery cleaner to keep the cover pliable and glossy.
7. Automotive type wax may be applied to all painted and chrome plated surfaces. Avoid combination cleaner-waxes. Many contain abrasives which may mar the paint or protective finish. When finished cleaning, start the engine and let it idle for several minutes.

## Storage

### Short-term

Always store your ATV in a cool, dry place and, if necessary, protect it against dust with a porous cover. **NOTICE: Storing the ATV in a poorly ventilated room or covering it with a tarp while it is still wet, will allow water and humidity to seep in and cause rust. To prevent corrosion, avoid damp cellars, stables (because of the presence of ammonia) and areas where strong chemicals are stored.** [ECB00721]

### Long-term

Before storing your ATV for several months:

1. Follow all the instructions in the “Cleaning” section of this chapter.
2. Turn the fuel cock lever to “OFF”.
3. Drain the carburetor float chamber by loosening the drain bolt; this will prevent fuel deposits from building up. Pour the drained fuel into the fuel tank.
4. Fill up the fuel tank and add fuel stabilizer (if available) to prevent the fuel from deteriorating.

Specified amount:

7.5 ml of stabilizer to each liter of fuel (or 1 oz of stabilizer to each gallon of fuel)

5. Perform the following steps to protect the cylinder, piston rings, etc. from corrosion.
  - a. Remove the spark plug cap and spark plug.
  - b. Pour a teaspoonful of engine oil into the spark plug bore.
  - c. Install the spark plug cap onto the spark plug, and then place the spark plug on the cylinder head so that the electrodes are grounded. (This will limit sparking during the next step.)
  - d. Turn the engine over several times with the starter. (This will coat the cylinder wall with oil.)
  - e. Remove the spark plug cap from the spark plug, and then install the spark plug and the spark plug cap.
6. Lubricate all control cables and the pivoting points of all levers and pedals.
7. Check and, if necessary, correct the tire air pressure, and then block up the ATV so that all of its wheels are off the ground. Alternative-

ly, turn the wheels a little every month in order to prevent the tires from becoming degraded in one spot.

8. Cover the muffler outlet with a plastic bag to prevent moisture from entering it.
9. Remove the battery and fully charge it. Store it in a cool, dry place and charge it once a month. Do not store the battery in an excessively cold or warm place [less than 0 °C (30 °F) or more than 30 °C (90 °F)]. For more information on storing the battery, see page 8-39.

**TIP**

---

Make any necessary repairs before storing the ATV.

---

# SPECIFICATIONS

## Dimensions:

- Overall length:  
1916 mm (75.4 in)
- Overall width:  
1038 mm (40.9 in)
- Overall height:  
1118 mm (44.0 in)
- Seat height:  
772 mm (30.4 in)
- Wheelbase:  
1170 mm (46.1 in)
- Ground clearance:  
150 mm (5.9 in)
- Minimum turning radius:  
2900 mm (114 in)

## Weight:

- With oil and fuel:  
216.0 kg (476 lb)

## Noise and vibration level:

- Noise level (77/311/EEC):  
YFM25BA 77.5 dB(A)
- Vibration on seat (EN1032, ISO5008):  
YFM25BA Will not exceed 0.5 m/s<sup>2</sup>
- Vibration on handlebar (EN1032, ISO5008):  
YFM25BA Will not exceed 2.5 m/s<sup>2</sup>

## Engine:

- Engine type:  
Air cooled 4-stroke, SOHC

## Cylinder arrangement:

Forward-inclined single cylinder

## Displacement:

229 cm<sup>3</sup>

## Bore × stroke:

71.0 × 58.0 mm (2.80 × 2.28 in)

## Compression ratio:

8.70 :1

## Starting system:

Electric and recoil starter

## Lubrication system:

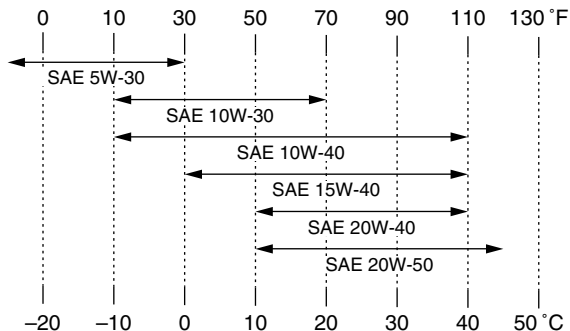
Wet sump

## Engine oil:

- Recommended brand:  
YAMALUBE

Type:

SAE 5W-30, 10W-30, 10W-40, 15W-40, 20W-40 or 20W-50



Recommended engine oil grade:

API service SG type or higher, JASO standard MA

Engine oil quantity:

Without oil filter element removal:

1.50 L (1.59 US qt, 1.32 Imp.qt)

With oil filter element removal:

1.60 L (1.69 US qt, 1.41 Imp.qt)

### Final gear oil:

Type:

SAE 80 API GL-4 Hypoid gear oil

Quantity:

0.25 L (0.26 US qt, 0.22 Imp.qt)

### Air filter:

Air filter element:

Dry element

### Fuel:

Recommended fuel:

YFM250A Unleaded gasoline only

YFM25BA Regular unleaded gasoline only

Fuel tank capacity:

12.0 L (3.17 US gal, 2.64 Imp.gal)

Fuel reserve amount:

1.6 L (0.42 US gal, 0.35 Imp.gal)

### Carburetor:

Type × quantity:

BSR33 x 1

### Spark plug (s):

Manufacturer/model:

NGK/DR7EA

Spark plug gap:

0.6–0.7 mm (0.024–0.028 in)

### Clutch:

Clutch type:

Wet, centrifugal automatic

### Transmission:

Primary reduction system:

Spur gear

Primary reduction ratio:

73/22 (3.318)

Secondary reduction system:

Shaft drive

Secondary reduction ratio:

19/18 × 46/11 (4.414)

Transmission type:

Constant mesh 5-speed.forward, 1-speed.reverse

Operation:

Left foot operation

Gear ratio:

1st:

34/12 (2.833)

2nd:

34/19 (1.789)

3rd:

29/22 (1.318)

4th:

26/25 (1.040)

5th:

23/28 (0.821)

Reverse gear:

73/22 × 34/12 × 19/18 (9.924)

### Chassis:

Frame type:

Steel tube frame

Caster angle:

4.0 °

Trail:

20.0 mm (0.79 in)

### Front tire:

Type:

Tubeless

Size:

AT22 x 7.00-10

Manufacturer/model:

YFM250A CARLISLE/TRAIL WOLF

YFM25BA MAXXIS/M905

### Rear tire:

Type:

Tubeless

Size:

AT22 x 10.00-10

Manufacturer/model:

YFM250A CARLISLE/TRAIL WOLF

YFM25BA MAXXIS/M906

### Loading:

Maximum loading limit:

165.0 kg (364 lb)

(Total weight of rider, cargo, accessories, and tongue)

### Tire air pressure (measured on cold tires):

Recommended:

Front:

20.0 kPa (0.200 kgf/cm<sup>2</sup>, 2.9 psi)

Rear:

25.0 kPa (0.250 kgf/cm<sup>2</sup>, 3.6 psi)

Minimum:

Front:

17.0 kPa (0.170 kgf/cm<sup>2</sup>, 2.5 psi)

Rear:

22.0 kPa (0.220 kgf/cm<sup>2</sup>, 3.2 psi)

### Front wheel:

Wheel type:

Panel wheel

Rim size:

10 x 6.0AT

### Rear wheel:

Wheel type:

Panel wheel

Rim size:  
10 x 8.0AT

### **Front brake:**

Type:  
Disc brake  
Operation:  
Right hand operation  
Recommended fluid:  
DOT 4

### **Rear brake:**

Type:  
Drum brake  
Operation:  
Left hand and right foot operation

### **Front suspension:**

Type:  
Strut  
Spring/shock absorber type:  
Coil spring/oil damper  
Wheel travel:  
125 mm (5.0 in)

### **Rear suspension:**

Type:  
Swingarm (monocross)  
Spring/shock absorber type:  
Coil spring/oil damper  
Wheel travel:  
135 mm (5.3 in)

### **Electrical system:**

Ignition system:  
DC CDI

Charging system:  
AC magneto

### **Battery:**

Model:  
CB14A-A2  
Voltage, capacity:  
12 V, 14.0 Ah

### **Headlight:**

Bulb type:  
Krypton bulb

### **Bulb voltage, wattage × quantity:**

Headlight:  
12 V, 30.0/30.0 W × 2  
Tail/brake light:  
12 V, 5.0/21.0 W × 1  
Neutral indicator light:  
12 V, 1.7 W × 1  
Reverse indicator light:  
12 V, 1.7 W × 1

### **Fuse:**

Fuse:  
20.0 A

## CONSUMER INFORMATION

EBU28200

### Identification numbers

Record the vehicle identification number and model label information in the spaces provided below for assistance when ordering spare parts from a Yamaha dealer or for reference in case the ATV is stolen.

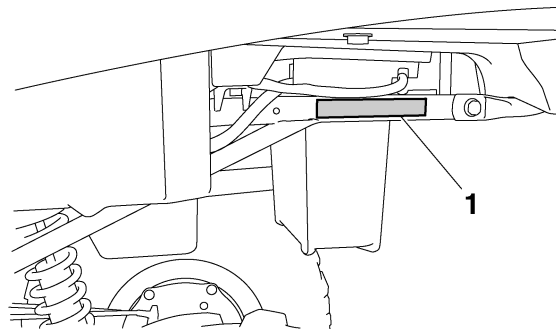
VEHICLE IDENTIFICATION NUMBER:

MODEL LABEL INFORMATION:

EBU26041

### Vehicle identification number

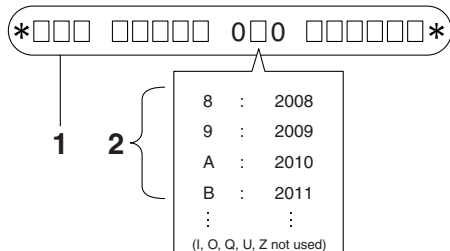
The vehicle identification number is stamped into the frame.



1. Vehicle identification number

The year of manufacture is listed in the vehicle identification number as shown in the illustration.





1. Vehicle identification number
2. Year of manufacture

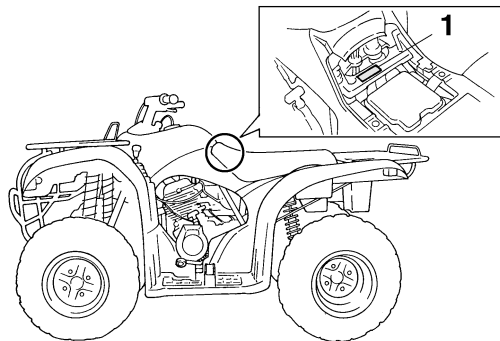
**TIP** \_\_\_\_\_

The vehicle identification number is used to identify your ATV.

EBU26050

**Model label**

The model label is affixed at the location in the illustration. Record the information on this label in the space provided. This information will be needed when ordering spare parts from a Yamaha dealer.



1. Model label

# INDEX

- A**  
Accessories and loading ..... 6-8  
Air filter element, cleaning ..... 8-20
- B**  
Battery ..... 5-6, 8-39  
Brake fluid, changing ..... 8-30  
Brake fluid level, checking ..... 8-29  
Brake lever free play, checking the front ..... 8-30  
Brake lever, front ..... 4-4  
Brake levers, checking and lubricating ..... 8-36  
Brake light switches ..... 8-34  
Brake pads and shoes, checking ..... 8-28  
Brake pedal and rear brake lever ..... 4-5  
Brake pedal, checking and lubricating ..... 8-37  
Brake pedal height and free play, and rear brake lever  
free play, adjusting ..... 8-31  
Brakes ..... 8-28  
Brakes, front and rear ..... 5-3
- C**  
Cables, checking and lubricating ..... 8-35  
Carburetor, adjusting ..... 8-25  
Carrier, front ..... 4-13  
Carrier, rear ..... 4-13  
Chassis fasteners ..... 5-6  
Cleaning ..... 9-1  
Clutch free play, adjusting ..... 8-35
- D**  
Drive select lever ..... 4-7  
Drive select lever and driving in reverse ..... 6-3  
Drive select lever safety system cable, adjusting ..... 8-28
- E**  
Engine break-in ..... 6-6  
Engine, cold start ..... 6-1  
Engine idling speed ..... 8-26  
Engine oil ..... 5-3  
Engine oil and oil filter element ..... 8-11  
Engine, starting a warm ..... 6-3  
Engine stop switch ..... 4-2
- F**  
Final gear oil ..... 5-3, 8-18  
Fuel ..... 4-8, 5-3  
Fuel cock ..... 4-9  
Fuel tank cap ..... 4-7  
Fuse, replacing ..... 8-42
- H**  
Handlebar switches ..... 4-2  
Headlight beam, adjusting ..... 8-45  
Headlight bulb, replacing ..... 8-43  
Horn switch ..... 4-3
- I**  
Identification numbers ..... 11-1  
Indicator lights ..... 4-2  
Instruments, lights and switches ..... 5-6
- L**  
Label locations ..... 1-1  
Light switch ..... 4-3

<b>M</b>	
Main switch .....	4-1
Maintenance and lubrication chart .....	8-5
Maintenance chart, emission control system .....	8-3
Model label .....	11-2

<b>N</b>	
Neutral indicator light .....	4-2

<b>O</b>	
Owner's manual and tool kit .....	8-2

<b>P</b>	
Parking .....	6-7
Parking brake .....	4-6
Parking on a slope .....	6-7
Part locations .....	3-1

<b>R</b>	
Recoil starter .....	4-7
Reverse indicator light .....	4-2
Riding your ATV .....	7-1

<b>S</b>	
Safety information .....	2-1
Seat .....	4-11
Shifting .....	6-4
Shift pedal .....	4-6
Shift pedal, checking .....	8-37
Shock absorber assembly, adjusting the rear .....	4-14
Spark arrester, cleaning .....	8-24
Spark plug, checking .....	8-9
Specifications .....	10-1
Speed limiter .....	4-4
Starter (choke) .....	4-11
Start switch .....	4-3
Steering shaft, lubricating .....	8-38

Storage .....	9-2
Storage compartment .....	4-12
Swingarm pivots, lubricating .....	8-38

<b>T</b>	
Tail/brake light bulb, replacing .....	8-45
Throttle lever .....	4-3, 5-4
Throttle lever free play, adjusting .....	8-27
Tires .....	5-4
Troubleshooting .....	8-48
Troubleshooting chart .....	8-49

<b>V</b>	
Valve clearance .....	8-27
Vehicle identification number .....	11-1

<b>W</b>	
Wheel hub bearings, checking .....	8-37
Wheel, installing .....	8-46
Wheel, removing .....	8-46



PRINTED IN USA  
2010.08-0.3x1 CR  
(E)